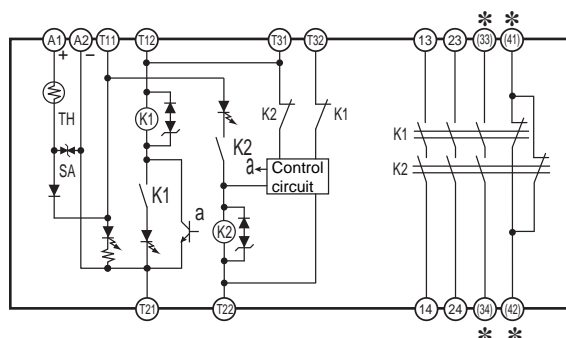


Connections

Internal Connections

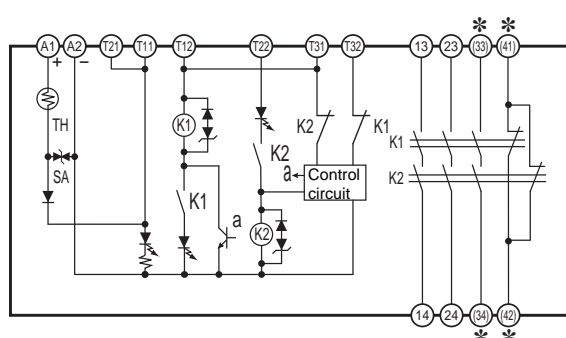
G9SB-2002-A/C (24 VAC/VDC)

G9SB-3012-A/C (24 VAC/VDC)

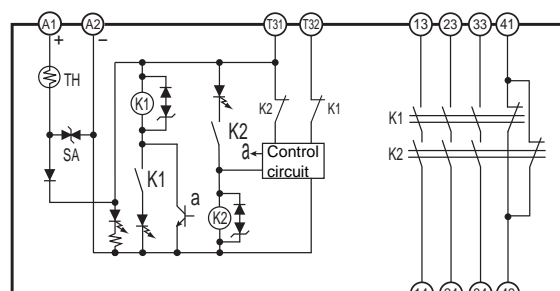


G9SB-200-B/D (24 VAC/VDC)

G9SB-301-B/D (24 VAC/VDC)



G9SB-3010 (24 VDC)



- Note: 1.** For 1-channel input with G9SB-□□□-B/D models, short terminals T12 and T22. It is not possible to wire G9SB-□□□2-A/C models for 1-channel input.
2. Always provide a protective ground externally, e.g., on the power supply.

* Only G9SB-301□-□ models have terminals 33-34 and 41-42.

Wiring of Inputs and Outputs

Signal name	Terminal name	Description of operation
Power supply input	A1, A2	The input terminals for power supply. Connect the power source to the A1 and A2 terminals. DC inputs have polarity, so A1 should be connected to the positive side and A2 to the negative side.
Safety input 1 *1	T11, T12	To set the safety outputs in the ON state, the ON state signals must be input to both safety input 1 and safety input 2. Otherwise the safety outputs cannot be in the ON state.
Safety input 2 *1	T21, T22	
Feedback/reset input	T31, T32	To set the safety outputs in the ON state, the ON state signal must be input to T31 - T32. Otherwise the safety outputs cannot be in the ON state.
Instantaneous safety outputs	See below. *2	Turns ON/OFF according to the state of the safety inputs and feedback/reset inputs.
Auxiliary output	See below. *2	Synchronized with Instant Safety Output.

Note: Grounding

Be sure to ground externally, such as at the power supply.

***1. Safety Inputs**

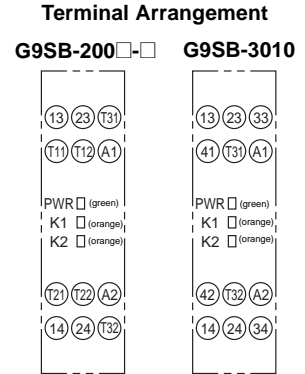
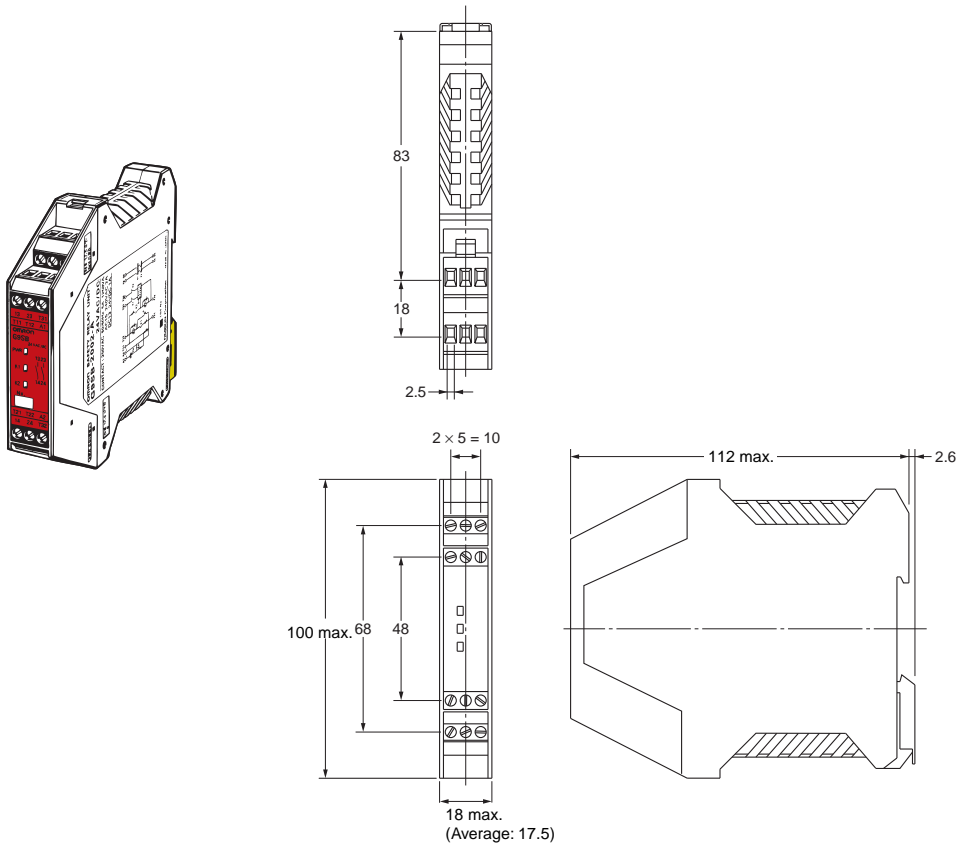
- (1) G9SB-3010 directly cuts off power, and has no Safety Input.
- (2) For 1-channel input with G9SB-□□□-B/D, short circuit T12-T22 and then input.
- (3) With G9SB-□□□2-A/C, 1-channel input wiring is not possible.

***2. Output Contacts**

- G9SB-2002-A/C: Safety Output Contacts 13-14, 23-24.
 G9SB-3012-A/C: Safety Output Contacts 13-14, 23-24, 33-34. Auxiliary Contact 41-42.
 G9SB-200-B/D: Safety Output Contacts 13-14, 23-24.
 G9SB-301-B/D: Safety Output Contacts 13-14, 23-24, 33-34. Auxiliary Contact 41-42.
 G9SB-3010: Safety Output Contacts 13-14, 23-24, 33-34. Auxiliary Contact 41-42.

Dimensions and Terminal Arrangement

G9SB-200□-□
G9SB-3010



G9SB-301-□-□

