



# S8 Relay Series

## Miniature high voltage relay



- Space saving package
- Isolation Voltage across contacts 4kV or 5kV (dependant on coil voltage)
- Isolation Voltage 7kV contact to coil
- 2.5A carry current
- Up to 1000V switching voltage

The S8 series is a miniature high voltage reed relay for applications where space saving is a prime consideration.

The coil pins are positioned near the centre of the relay while the contact pins are near the ends to give improved isolation between the High Voltage contacts and the low voltage coil.

| Contact Specification       | Conditions                 | 5V coil   | 12V coil                             | 24V coil |
|-----------------------------|----------------------------|---|--------------------------------------|----------|
| Switch action               |                            |   | SPST (Form A)                        |          |
| Material                    |                            |   | Rhodium                              |          |
| Isolation across contacts   | kV DC or AC peak           | 4   | 4                                    | 5        |
| Switching Power Max.        | VA (W for -V variants)     |   | 100                                  |          |
| Switching Voltage Max.      | V                          | 350dc/300ac (1000Vdc & ac peak for -V variants) |                                      |          |
| Switching Current Max.      | A DC or AC peak            |   | 1.0                                  |          |
| Carry Current Max           | A DC                       |   | 2.5                                  |          |
| Capacitance across contacts | pF coil to screen grounded |   | 0.5 (typical)                        |          |
| Lifetime operations         | dry switching              |   | 10 <sup>9</sup>                      |          |
|                             | 100W switching             |   | 10 <sup>7</sup>                      |          |
| Contact Resistance          | mΩ max                     |   | 150                                  |          |
| Insulation Resistance       | Ωmin (typical)             |   | 10 <sup>10</sup> (10 <sup>13</sup> ) |          |

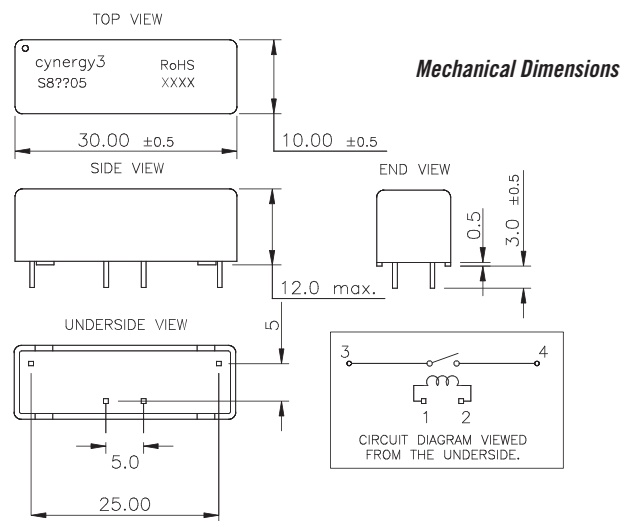
| Coil Specification   |                 |     |     |      |
|----------------------|-----------------|-----|-----|------|
| Must Operate Voltage | V DC            | 4   | 9.6 | 19   |
| Must Release Voltage | V DC            | 1   | 2   | 3    |
| Operate Time         | ms diode fitted | 1   | 1   | 1    |
| Release Time         | ms diode fitted | 0.5 | 0.5 | 0.5  |
| Resistance           | Ω               | 120 | 750 | 1550 |

| Relay Specification                            |                |     |  |  |
|--|----------------|-----|--|--|
| Isolation contact/coil                         | kV             | 7   |  |  |
| Insulation resistance contact to all terminals | Ωmin (typical) | TBC |  |  |

| Environmental        |    |             |  |  |
|----------------------|----|-------------|--|--|
| Operating Temp range | °C | -40 to +85  |  |  |
| Storage Temp range   | °C | -40 to +125 |  |  |

| Standard Parts | Coil Volts Vdc | Isolation across contacts kV | Max. Switching Voltage Vdc (Vac peak) |
|----------------|----------------|------------------------------|---------------------------------------|
| S8-0504        | 5              | 4                            | 350 (300)                             |
| S8-0504V       | 5              | 4                            | 1000 (1000)                           |
| S8-1204        | 12             | 4                            | 350 (300)                             |
| S8-1204V       | 12             | 4                            | 1000 (1000)                           |
| S8-2405        | 24             | 5                            | 350 (300)                             |
| S8-2405V       | 24             | 5                            | 1000 (1000)                           |

Custom versions can be designed for particular applications. Please contact Cynergy3 with your requirements.



Pins 0.635mm Square ±0.05mm.  
 Pins 1 & 2 Tin over Nickel plated, on CuSn6 Phosphor Bronze.  
 Pins 3 & 4 Tin plated on NiFe Nickel Iron.  
 Case Material Nylon.  
 Encapsulant: Epoxy

Cynergy3 Components Ltd.  
 7 Cobham Road  
 Ferndown Industrial Estate  
 Wimborne, Dorset BH21 7PE  
 Telephone +44 (0) 1202 897969  
 Email:sales@cynergy3.com

ISO9001 CERTIFIED

S8 Series 2015

www.cynergy3.com