

19 mm (0.75") DIAMETER SUBMINIATURE TENSION OR COMPRESSION LOAD CELLS

STANDARD AND METRIC MODELS

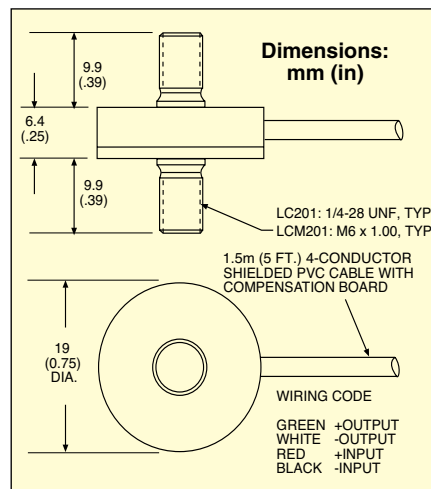
**Tension/Compression
Calibrated in Tension**
0-25 lb to 0-300 lb
0-100 to 0-500 N

1 Newton = 0.2248 lb
1 daNewton = 10 Newtons
1 lb = 454 g
1 t = 1000 kg = 2204 lb

STANDARD
LC201-50,
shown larger
than actual size.

METRIC
LCM201-200N,
shown larger than
actual size.

LC201/LCM201 Series



- Subminiature Package for Robotic Applications, 19 mm (0.75") Diameter
- Dual Mounting Studs for Easy Installation
- 5-Point Calibration Provided

Thermal Effects:
Zero: 0.018% FSO/°C
Span: 0.018% FSO/°C

Safe Overload: 150% of capacity
Ultimate Overload: 300% of capacity
Input Resistance: 360 Ω minimum
Output Resistance: 350 ±10 Ω
Construction: Stainless steel
Electrical: 1.5 m (5') 4-conductor shielded cable with compensation board

OMEGA's LC201/LCM201 Series subminiature load cells are designed for the demanding environment of industrial automation and robotics. With a diameter of only 19 mm (0.75") and all stainless steel construction, they can fit into small systems. They deliver high accuracy and long-term reliability in a subminiature package.

SPECIFICATIONS

Excitation: 10 Vdc, 15 Vdc max
Output: 2 mV/V nominal
Accuracy: ±1.0% FSO linearity, hysteresis, repeatability combined
5-Point Calibration (in Tension): 0%, 50%, 100%, 50%, 0%
Zero Balance: ±2% FSO
Operating Temp Range: -54 to 121°C (-65 to 250°F)
Compensated Temp Range: 16 to 71°C (60 to 160°F)
Protection Class: IP54

STANDARD MODELS

| To Order | | | | |
|----------|------|-----------|-------------------|----------|
| CAPACITY | | MODEL NO. | COMPATIBLE METERS | ROD END |
| lb | N | | | |
| 25 | 111 | LC201-25 | DP41-S, DP25B-S | REC-014F |
| 50 | 222 | LC201-50 | DP41-S, DP25B-S | REC-014F |
| 75 | 334 | LC201-75 | DP41-S, DP25B-S | REC-014F |
| 100 | 445 | LC201-100 | DP41-S, DP25B-S | REC-014F |
| 300 | 1334 | LC201-300 | DP41-S, DP25B-S | REC-014F |

METRIC MODELS

| CAPACITY | | MODEL NO. | COMPATIBLE METERS | ROD END |
|----------|-----|-------------|-------------------|----------|
| N | lb | | | |
| 100 | 22 | LCM201-100N | DP41-S, DP25B-S | MREC-M6F |
| 200 | 45 | LCM201-200N | DP41-S, DP25B-S | MREC-M6F |
| 300 | 67 | LCM201-300N | DP41-S, DP25B-S | MREC-M6F |
| 500 | 112 | LCM201-500N | DP41-S, DP25B-S | MREC-M6F |

Comes complete with 5-point NIST traceable calibration and 59 kΩ shunt data.

Ordering Examples: LC201-25, 25 lb capacity subminiature universal load cell.
LCM201-500N, 500 N capacity subminiature universal load cell.