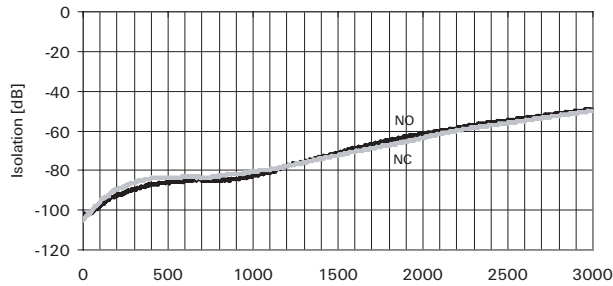
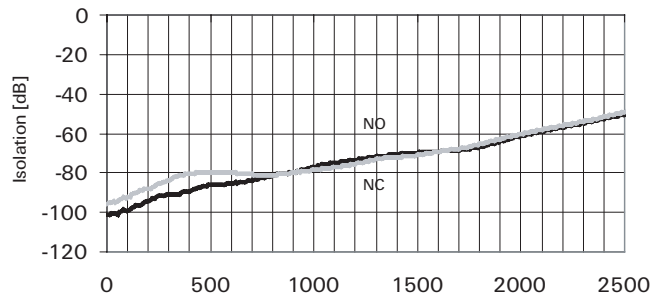


**HF3 Relay** (Continued)

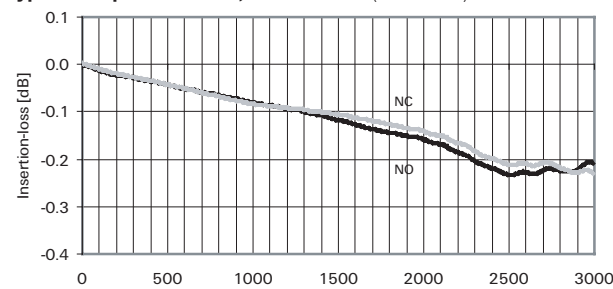
Typical RF performance, 50Ω version



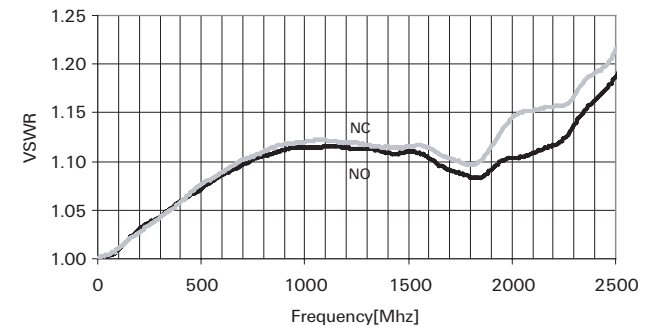
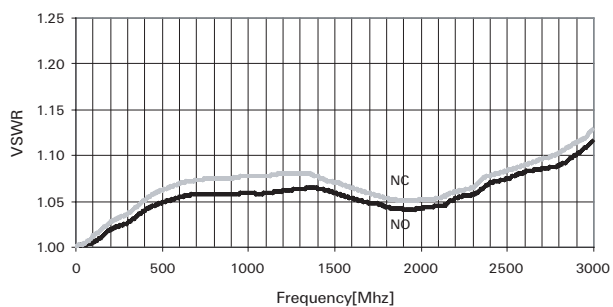
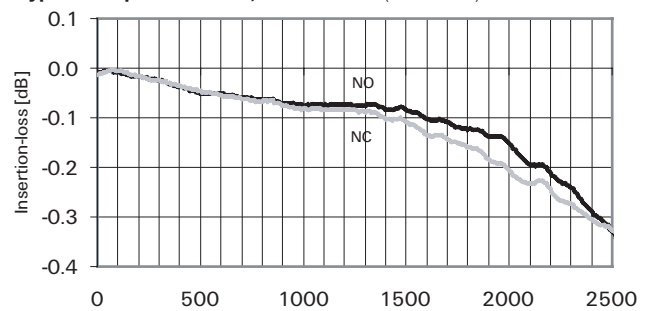
Typical RF performance, 75Ω version



Typical RF performance, 50Ω version (continued)



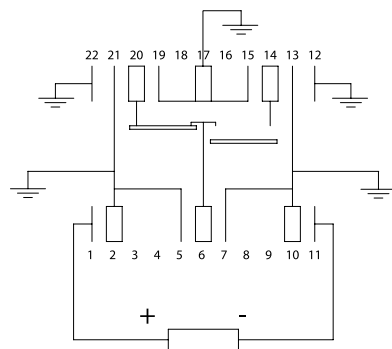
Typical RF performance, 75Ω version (continued)



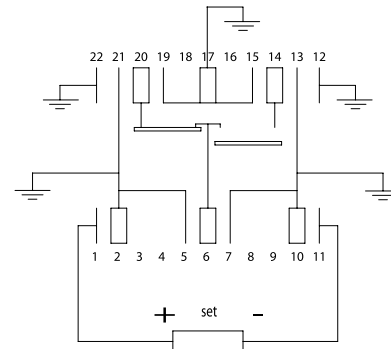
**Terminal assignment**

TOP view on component side of PCB

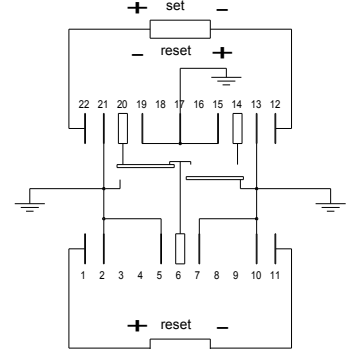
Monostable



Bistable, 1 coil



Bistable, 2 coils

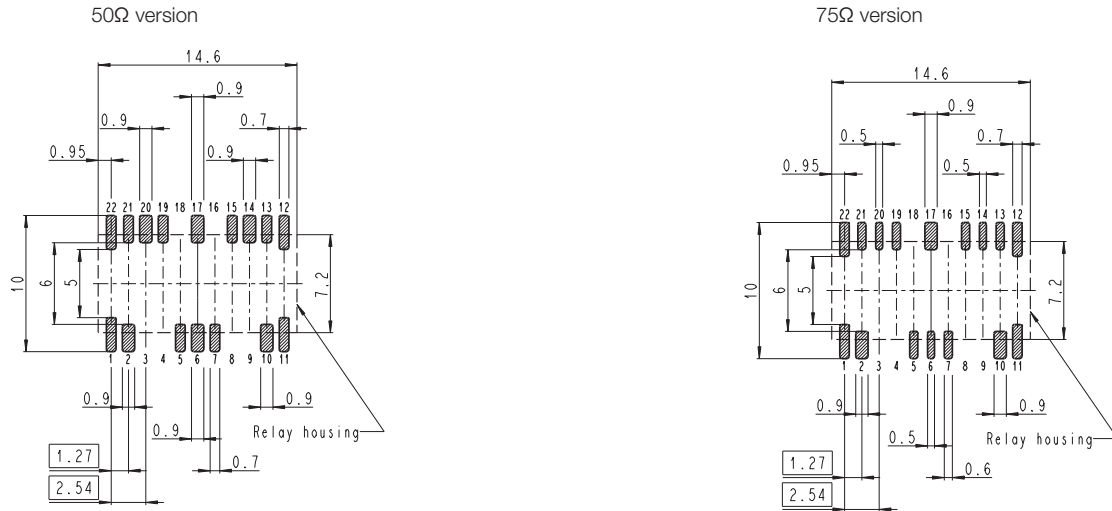


+ Contacts are shown in reset condition.  
Contact position might change during transportation and must be reset before use.

**HF3 Relay** (Continued)

**PCB layout**

TOP view on component side of PCB



**Dimensions**

