

4

3

2

1

THIS DRAWING IS UNPUBLISHED.

RELEASED FOR PUBLICATION

© COPYRIGHT - By -

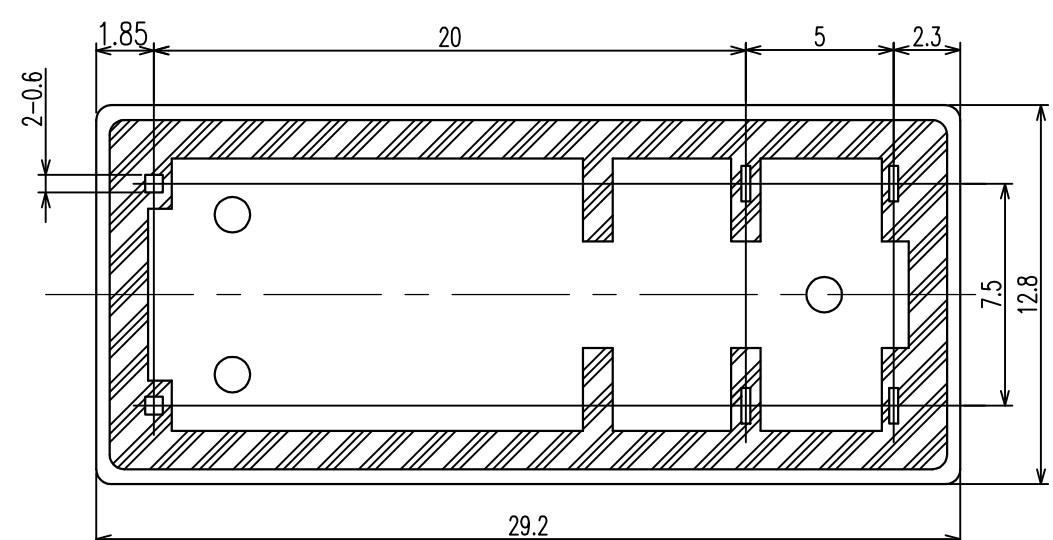
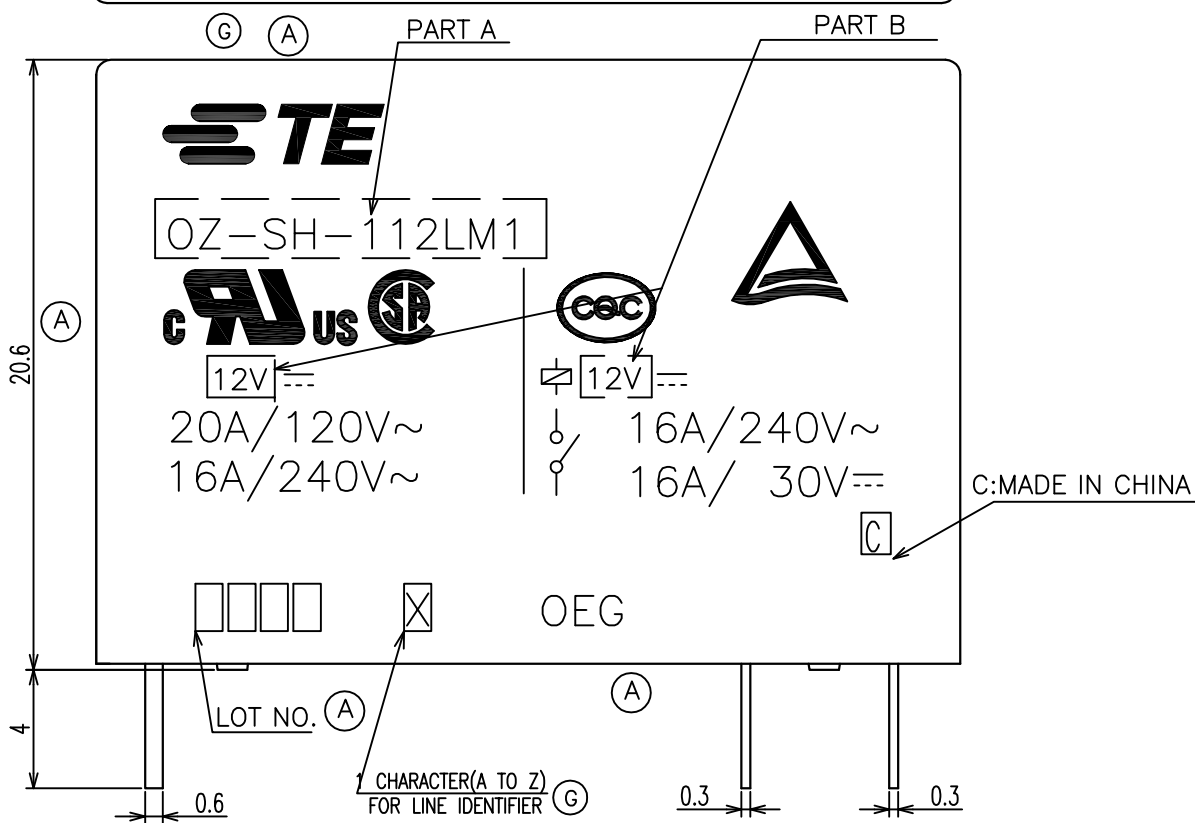
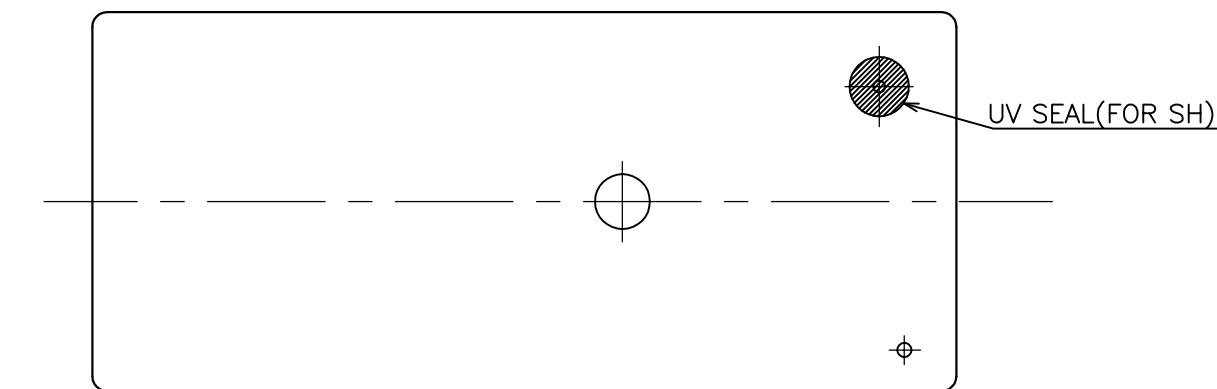
ALL RIGHTS RESERVED.

LOC
HB

DIST
-

REVISIONS

| P | LTR | DESCRIPTION | DATE | DWN | APVD |
|---|-----|-------------|---------------|-----------|----------|
| | H | REVISE ONLY | ECO-13-015347 | 16-DEC-13 | XL,Y B,F |



NOTES:
 1. TERMINAL DIMENSION IS NOT INCLUDING SOLDER TIP.
 2. LOT NO. SYSTEM AS FOLLOING:
 0 8 2 5
 WEEK
 YEAR

3. GENERAL TOLERANCE AS FOLLOING:

| TOLERANCE | |
|------------|------|
| 0~0.99mm | ±0.1 |
| 1mm~2.99mm | ±0.2 |
| 3mm MIN. | ±0.3 |

4. FOR THE TIN-PLATING OF THE PINS:
 +0.1mm FOR WIDTH, THICKNESS AND DIAMETER.
 +0.5mm FOR LENGTH.

THIS DRAWING IS A CONTROLLED DOCUMENT.

| | |
|------------------------|---|
| DWN SHIMING.CHEN | TE Connectivity OZ-1M CUSTOMER DRAWING |
| CHK WAYNE.PENG | |
| APVD FUNAYAMA.NAOYA | |
| PRODUCT SPEC | |
| APPLICATION SPEC | RESTRICTED TO |
| WEIGHT | SIZE A3 |
| CUSTOMER DRAWING | CAGE CODE 00779 |
| | DRAWING NO C=1440002-5 |
| | SCALE 4:1 |
| | SHEET 1 of 2 |
| | REV H |

THIS DRAWING IS UNPUBLISHED.

RELEASED FOR PUBLICATION

-. - .

© COPYRIGHT - By -

ALL RIGHTS RESERVED.

LOC

DIST

REVISIONS

HB

-

P

LTR

DESCRIPTION

DATE

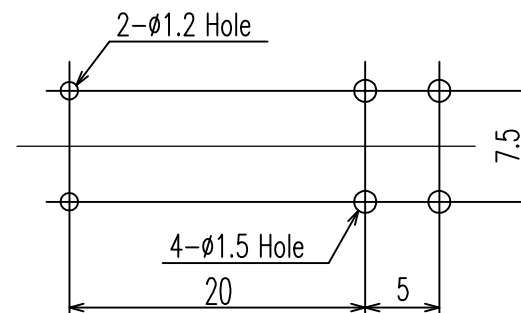
DWN

APVD

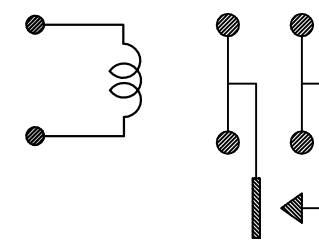
| | | | | | |
|------|---------------|--------------|--------|--------------|------|
| (F1) | 1-1461250-4 | OZ-SH-112DM1 | 12V | OZ-SH-112DM1 | y |
| | 1-1461250-9 | OZ-SH-148LM1 | 48V | OZ-SH-148LM1 | x |
| | 1-1461250-7 | OZ-SH-148DM1 | 48V | OZ-SH-148DM1 | w |
| | 1-1461250-5 | OZ-SH-124LM1 | 24V | OZ-SH-124LM1 | v |
| | 1-1461250-3 | OZ-SH-109LM1 | 9V | OZ-SH-109LM1 | u |
| | 1-1461250-1 | OZ-SH-109DM1 | 9V | OZ-SH-109DM1 | t |
| | 0-1461250-9 | OZ-SH-106LM1 | 6V | OZ-SH-106LM1 | s |
| | 0-1461250-7 | OZ-SH-106DM1 | 6V | OZ-SH-106DM1 | r |
| | 0-1461250-4 | OZ-SH-105DM1 | 5V | OZ-SH-105DM1 | q |
| | 0-1-1440002-0 | OZ-SH-124DM1 | 24V | OZ-SH-124DM1 | p |
| | 0-1440002-8 | OZ-SH-112LM1 | 12V | OZ-SH-112LM1 | o |
| | 0-1440002-5 | OZ-SH-105LM1 | 5V | OZ-SH-105LM1 | n |
| | 7-1440009-5 | OZ-SS-103LM1 | 3V | OZ-SS-103LM1 | m |
| | 0-1461355-1 | OZ-SS-118DM1 | 18V | OZ-SS-118DM1 | l |
| | 0-1461251-5 | OZ-SS-105DM1 | 5V | OZ-SS-105DM1 | k |
| | 0-1461251-4 | OZ-SS-109DM1 | 9V | OZ-SS-109DM1 | j |
| | 0-1461251-3 | OZ-SS-105LM1 | 5V | OZ-SS-105LM1 | i |
| | 3-1440002-0 | OZ-SS-148DM1 | 48V | OZ-SS-148DM1 | h |
| | 2-1440002-9 | OZ-SS-124LM1 | 24V | OZ-SS-124LM1 | g |
| | 2-1440002-6 | OZ-SS-124DM1 | 24V | OZ-SS-124DM1 | f |
| | 2-1440002-4 | OZ-SS-112LM1 | 12V | OZ-SS-112LM1 | e |
| | 2-1440002-2 | OZ-SS-112DM1 | 12V | OZ-SS-112DM1 | d |
| | 2-1440002-0 | OZ-SS-109LM1 | 9V | OZ-SS-109LM1 | c |
| | 1-1440002-7 | OZ-SS-106LM1 | 6V | OZ-SS-106LM1 | b |
| | 1-1440002-5 | OZ-SS-106DM1 | 6V | OZ-SS-106DM1 | a |
| | PART NO | DESCRIPTION | PART B | PART A | ITEM |

RELAY TYPE

DRILLING DIAGRAM (BOTTOM VIEW)



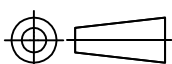
CIRCUIT DIAGRAM(2/1) (BOTTOM VIEW)



| | | | | |
|------------------|------------|-------------|--------------------|------|
| | | UV RESIN | UV SEAL | 16 |
| | | EPOXY RESIN | SEAL | 15 |
| | | Cu ALLOY | HINGE SPRING | 14 |
| | | PBT | CASE | 13 |
| | | MW79 | MAGNETIC WIRE | 12 |
| UL94V-0 | | PET | BASE | 11 |
| UL94HB | | PBT | BOBBIN | 10 |
| | SOLDER DIP | Cu ALLOY | COIL TERMINAL | 9 |
| UL94V-0 | | PPS | CARD | 8 |
| | | Ag ALLOY | MOVABLE CONTACT | 7 |
| | | Ag ALLOY | STATIONARY CONTACT | 6 |
| | SOLDER DIP | Cu ALLOY | MOVABLE SPRING | 5 |
| | SOLDER DIP | Cu ALLOY | NO-TERMINAL | 4 |
| | Ni PLATED | STEEL | CORE | 3 |
| | Ni PLATED | STEEL | ARMATURE | 2 |
| | Ni PLATED | STEEL | YOKE | 1 |
| INCOMBUSTIBILITY | TREATMENT | MATERIAL | DESCRIPTION | ITEM |

THIS DRAWING IS A CONTROLLED DOCUMENT.

| | |
|-------------|--|
| DIMENSIONS: | TOLERANCES UNLESS OTHERWISE SPECIFIED: |
| mm | 0 PLC ± - |
| | 1 PLC ± - |
| | 2 PLC ± - |
| | 3 PLC ± - |
| | 4 PLC ± - |
| | ANGLES ± - |
| MATERIAL | FINISH |
| - | - |



DWN

CHK

APVD

PRODUCT SPEC

APPLICATION SPEC

WEIGHT

CUSTOMER DRAWING

STE TE Connectivity

NAME

OZ-1M CUSTOMER DRAWING

SIZE

CAGE CODE

DRAWING NO

RESTRICTED TO

A3

00779

C=1440002-5

SCALE 4:1

SHEET 2 OF 2

REV H