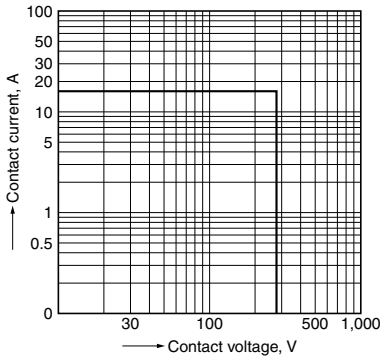


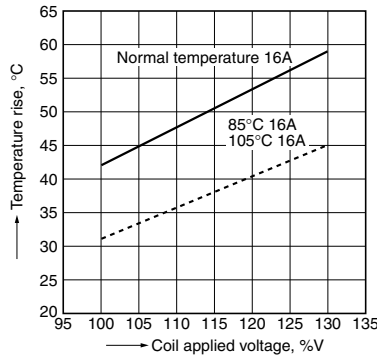
REFERENCE DATA

1. Max. switching capacity (AC resistive load)



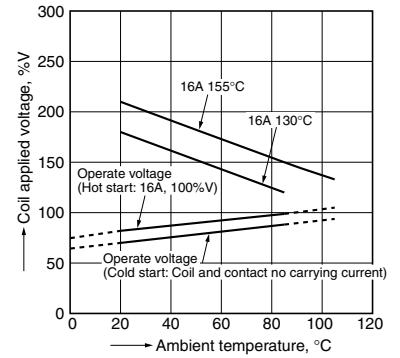
2. Coil temperature rise (Ave.)

Tested sample: ALZN1F12, 6pcs.
 Contact current: 16A
 Ambient temperature: Normal temperature • 85°C
 185°F • 105°C 221°F
 Measured portion: inside the coil



3. Ambient temperature characteristics (Ave.)

Tested sample: ALZN1F12, 6pcs.
 Contact carrying current: 0A, 16A
 Measured portion: inside the coil



DIMENSIONS (mm inch)

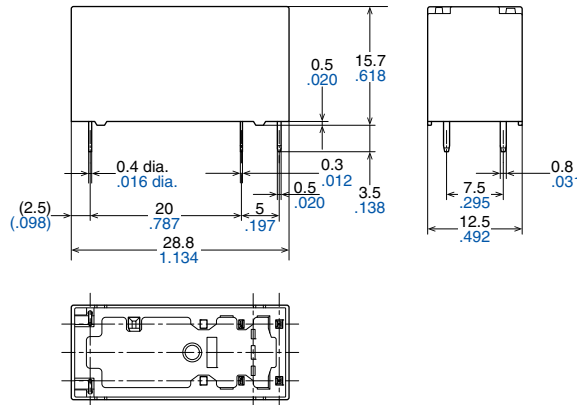
The CAD data of the products with a **CAD** mark can be downloaded from: <http://industrial.panasonic.com/ac/e/>

1. 1 Form A type

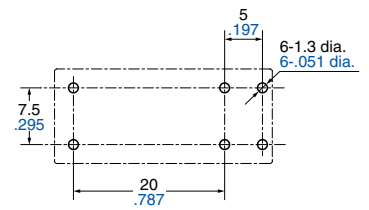
CAD



External dimensions

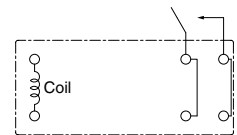


PC board pattern



Tolerance: $\pm 0.1 \pm 0.004$

Schematic (Bottom view)



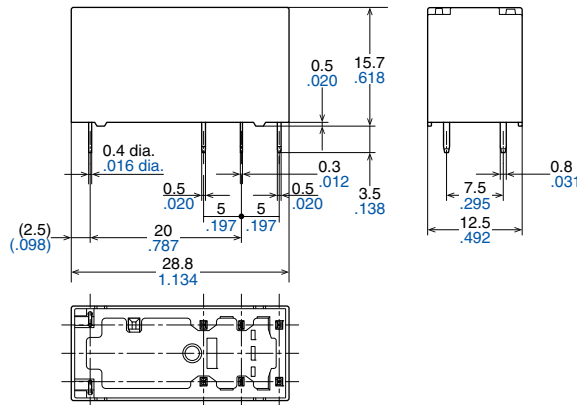
Dimension:	Tolerance
Less than 1mm .039inch :	$\pm 0.1 \pm 0.004$
Min. 1mm .039inch less than 3mm .118 inch :	$\pm 0.2 \pm 0.008$
Min. 3mm .118 inch :	$\pm 0.3 \pm 0.012$

2. 1 Form C type

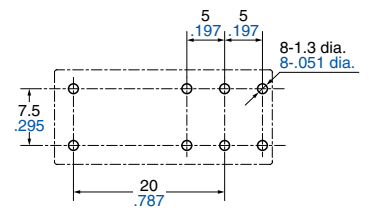
CAD



External dimensions

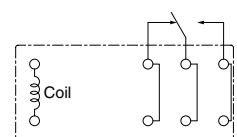


PC board pattern



Tolerance: $\pm 0.1 \pm 0.004$

Schematic (Bottom view)



Dimension:	Tolerance
Less than 1mm .039inch :	$\pm 0.1 \pm 0.004$
Min. 1mm .039inch less than 3mm .118 inch :	$\pm 0.2 \pm 0.008$
Min. 3mm .118 inch :	$\pm 0.3 \pm 0.012$

SAFETY STANDARDS

UL/C-UL and VDE in process

NOTES

1. For cautions for use, please read “GENERAL APPLICATION GUIDELINES”.