

# Specifications

Ver.1.1

Product Name

PIR MOTION SENSOR "PaPIRs"

Model No.

EKMC260511□K

Page: 1

## 1. Product Name

PIR MOTION SENSOR "PaPIRs"

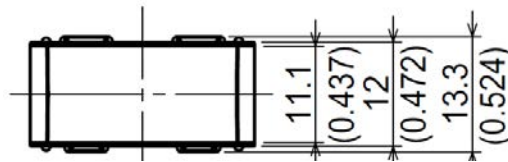
VZ series · Horizontally wide detection type (170μA / Analog output)

## 2. Model Number

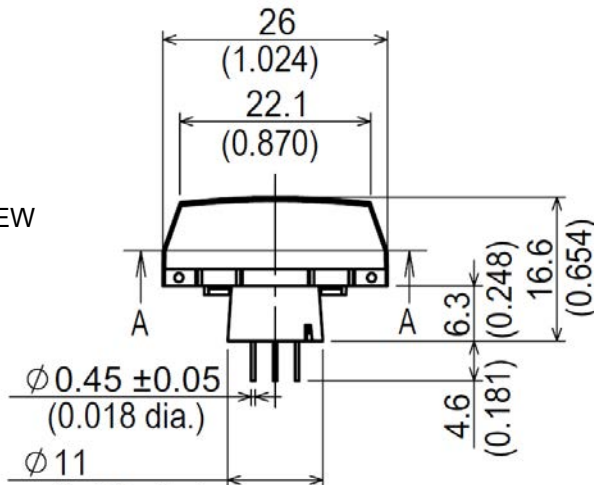
Lens Color	Model Number
White	EKMC2605111K
Black	EKMC2605112K
Pearl White	EKMC2605113K

## 3. Dimensions

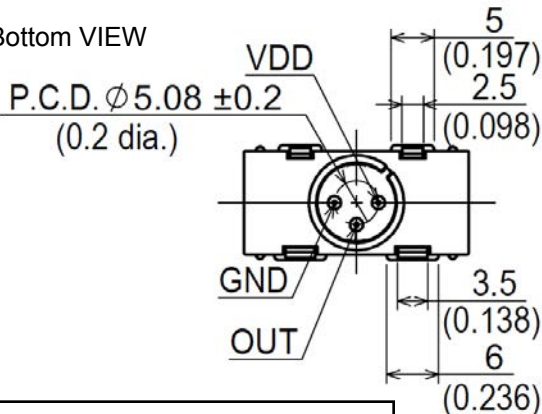
Top VIEW



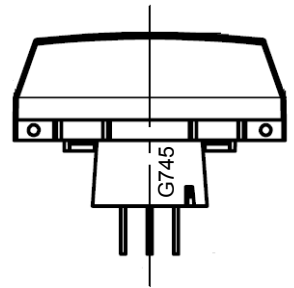
Side VIEW



Bottom VIEW



Marking



G 7 45

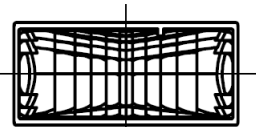
a) b) c)

a) The Marking which was shown by a list shown below

Marking	Model Number
A	EKMC160511□
B	EKMB130511□K
C	EKMB110511□
D	EKMB120511□
E	EKMB260511□
F	
G	EKMC260511□K
H	EKMC460511□K
I	
J	
K	

b) Last-digit of the year  
(Ex:2017=7,2018=8,...)

c) Lot No.  
1<sup>st</sup> week of Jan. will be 01,  
and further No. of 02,03,  
will continue up to 53.



SECTION A-A

General Tolerance ±0.5mm (±0.020inch)

Panasonic Corporation

Approved by

Checked by

Designed by

Issued on Mar. 26<sup>th</sup>,2018

# Specifications

Ver.1.1

Product Name

PIR MOTION SENSOR "PaPIRs"

Model No.

EKMC260511□K

Page: 2

## 4.Characteristics

### 4-1 Detection Performance (Detection Area A)

Conditions for measuring: Ambient temperature=25°C(77° F) Operating voltage=5VDC

	Temperature difference	Value	Conditions concerning the target
(Note1) Detection Sensitivity	4°C(7.2° F)	$\pm 0.22V \leq$	1.Movement speed: 1.0m/s 2.Target concept is human body (Object size:Around 700×250mm) 3.Detection range is 5m.

Note1:The detection range is about 5m however, depending on the target's speed and its temperature difference with the surroundings, detection can occur at a range superior to the value above.

Therefore, before using, please confirm the detection characteristics under the usage environment.

\*Refer to the "detection area" diagram in section 4-6.

		Value	Notes
Detection Area	Horizontal	122° (±61°)	Refer to the section 4-6.
	Vertical	35° $\left[ \begin{matrix} +10° \\ -25° \end{matrix} \right]$	
	Detection zones	88	

### 4-2 Detection Performance (Detection Area B)

Conditions for measuring: Ambient temperature=25°C(77° F) Operating voltage=5VDC

	Temperature difference	Value	Conditions concerning the target
(Note1) Detection Sensitivity	8°C(14.4° F)	$\pm 0.22V \leq$	1.Movement speed: 1.0m/s 2.Target concept is human body (Object size:Around 700×250mm) 3.Detection range is 5m.

Note1:The detection range is about 5m however, depending on the target's speed and its temperature difference with the surroundings, detection can occur at a range superior to the value above.

Therefore, before using, please confirm the detection characteristics under the usage environment.

\*Refer to the "detection area" diagram in section 4-6.

		Value	Notes
Detection Area	Horizontal	150° (±75°)	Refer to the section 4-6. (Ditection Area A is not included.)
	Vertical	20° (±10°)	
	Detection zones	16	