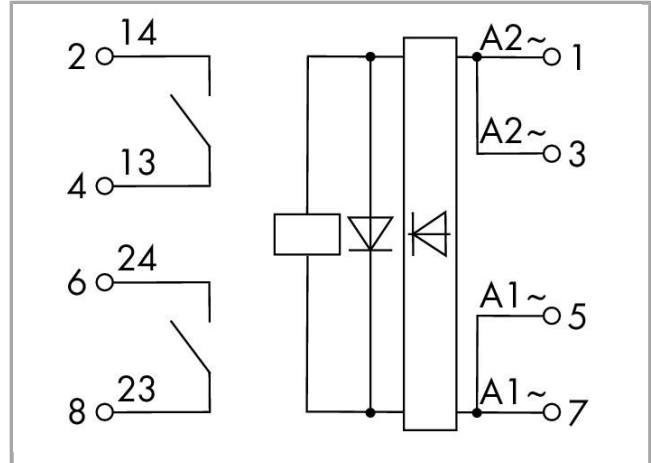
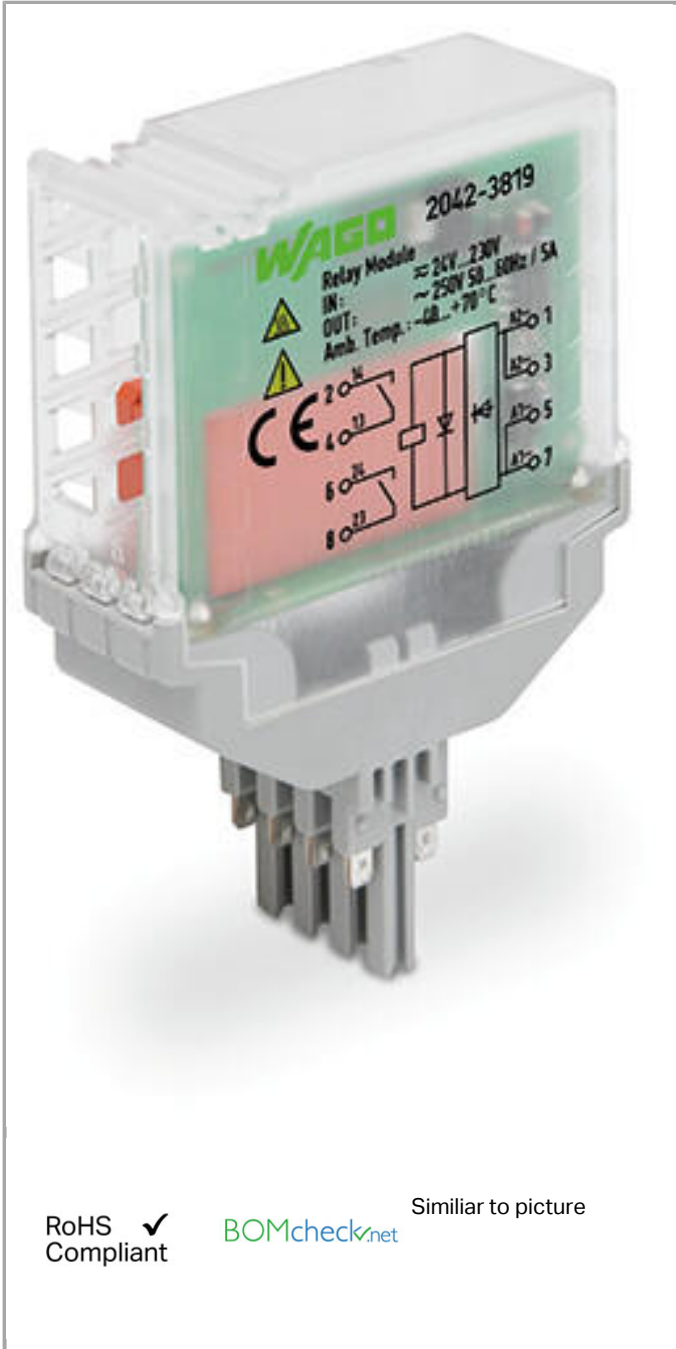


Data sheet | Item number: 2042-3819

Relay module; 230 VAC/VDC; Relay with 2 make contacts (2a)



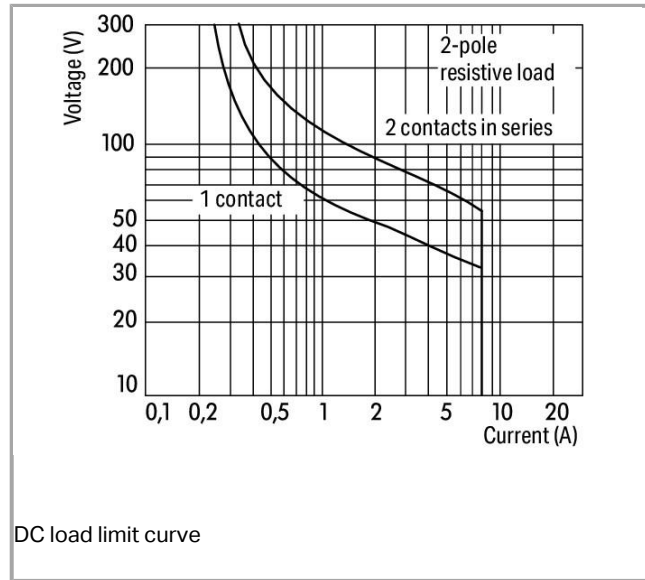
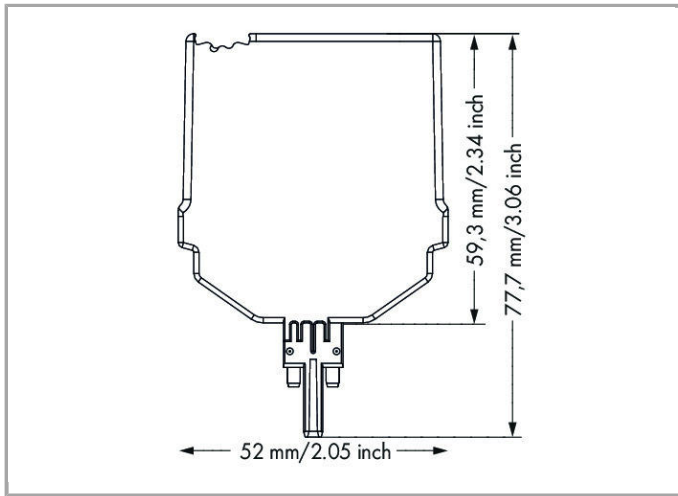
[www.wago.com/2042-3819](http://www.wago.com/2042-3819)



RoHS  Compliant

[BOMcheck.net](http://BOMcheck.net)

Similar to picture



Data

Technical Data

Control circuit

Nominal input voltage $U_N$	AC/DC 24 ... 230 V
Input voltage range	$\pm 10\%$
Nominal input current at $U_N$	2.9 mA (230 V); 49.099999999999994 mA (24 V)

Load circuit:

Number of make contacts/switch on contacts	2
Contact material (relay)	AgNi
Limiting continuous current	5 A
Max. make current (resistive)	(AC) 15 A / 4 s
Max. switching voltage	AC 250 V
Max. switching power (resistive)	AC 1,250 VA; DC see load limit curve
Recommended minimum load	12 V / 10 mA
Min. switching current	0 $\mu$ A
Pull-in time (typ.)	8 ms
Drop-out time (typ.)	6 ms
Bounce time (typ)	4 ms
Drop-out time	$\leq 0 \mu$ s
Electrical life (N.O.; resistive load; 23 °C)	100 x 10 <sup>3</sup> switching operations
Mechanical life (N.O.; resistive load; 23 °C)	10 x 10 <sup>6</sup> switching operations