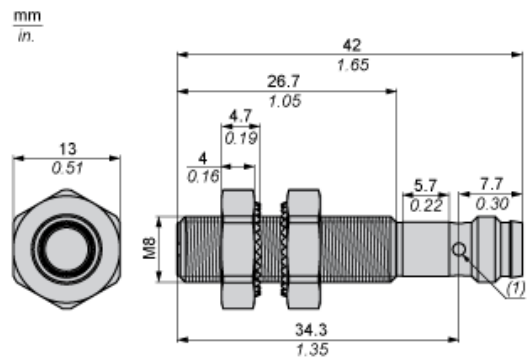


Dimensions



---

Minimum Mounting Distances in mm

---

Side by side



e (1)  $\geq$  5 mm/0.20 in.

Face to face



e (2)  $\geq$  30 mm/1.18 in.

Facing a metal object



e (3)  $\geq$  3 mm/0.31 in.