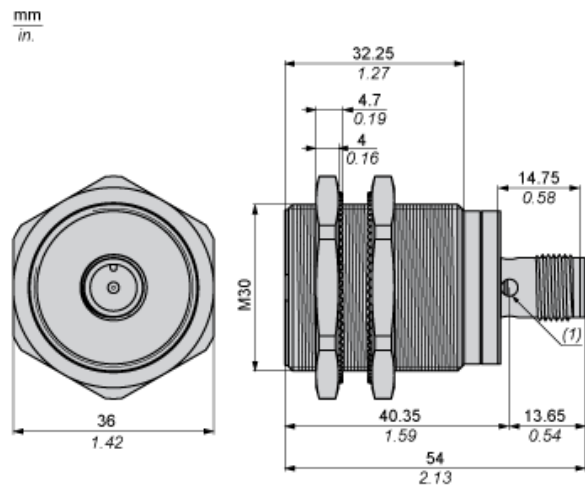


Dimensions



---

Minimum Mounting Distances

---

Side by side



e (1)  $\geq 80$  mm/1.18 in.

Face to face



e (2)  $\geq 80$  mm/7.09 in.

Facing a metal object



e (3)  $\geq 45$  mm/1.77 in.