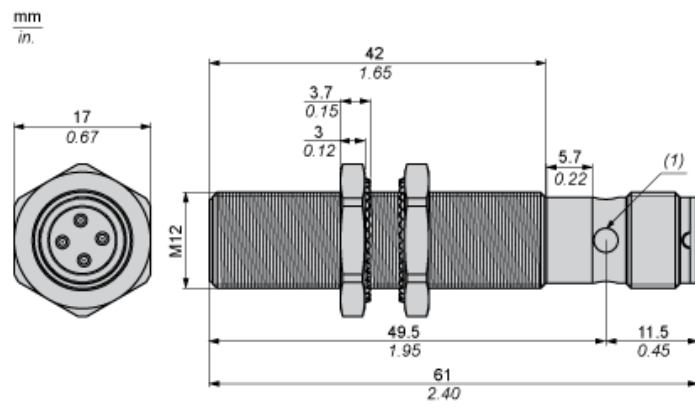


Dimensions



(1) LED

---

Minimum Mounting Distances

---

Side by side



e (1)  $\geq$  4 mm/0.16 in.

Face to face



e (2)  $\geq$  4 mm/0.94 in.

Facing a metal object



e (3)  $\geq$  6 mm/0.24 in.