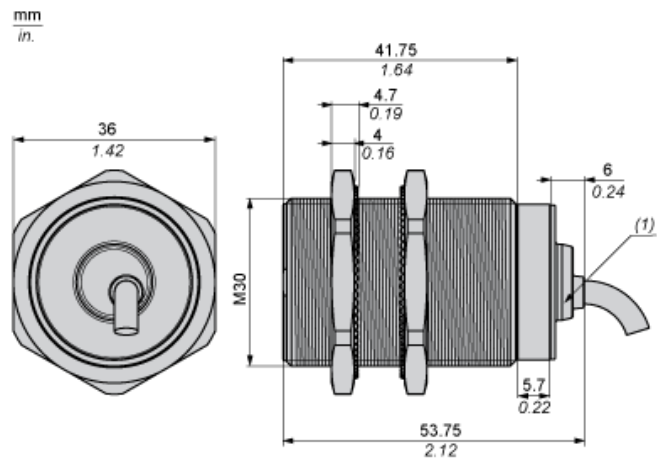


Dimensions



Minimum Mounting Distances

Side by side



e (1) ≥ 80 mm/1.18 in.

Face to face



e (2) ≥ 80 mm/7.09 in.

Facing a metal object



e (3) ≥ 45 mm/1.77 in.