

# XS7D1A1CAM12

inductive sensor XS7 80x80x26 - PBT - Sn40mm -  
12..24VDC - M12



## Main

Range of product	OsiSense XS
Series name	General purpose
Sensor type	Inductive proximity sensor
Device application	-
Sensor name	XS7
Sensor design	Flat form 80 x 80 x 26
Size	26 mm
Body type	Fixed
Detector flush mounting acceptance	Flush mountable
Material	Plastic
Enclosure material	PBT
Type of output signal	Discrete
Wiring technique	2-wire
Discrete output function	1 NO
Output circuit type	DC
Electrical connection	4 pins M12 male connector, pin assignment : 1-4
[Us] rated supply voltage	12...24 V DC with reverse polarity protection
Switching capacity in mA	1.5...100 mA DC with overload and short-circuit protection
IP degree of protection	IP67 double insulation conforming to IEC 60529

## Complementary

Detection face	Frontal
Front material	PBT
Operating zone	0...32 mm
Differential travel	1...15% of Sr
Status LED	1 LED yellow for output state
Supply voltage limits	10...36 V DC
Residual current	<= 0.5 mA for open state
Switching frequency	<= 100 Hz
Voltage drop	<= 4 V at closed state
Delay first up	10 ms
Delay response	10 ms
Delay recovery	10 ms
Marking	CE
Depth	26 mm
Height	80 mm
Width	80 mm

## Environment

product certifications	CSA C-Tick UL Ecolab
ambient air temperature for operation	-25...70 °C

The information provided in this documentation contains general descriptions and/or technical characteristics of the products contained herein. This documentation is not intended as a substitute for and is not to be used for determining suitability or reliability of these products for specific user applications. It is the duty of any such user or integrator to perform the appropriate and complete risk analysis, evaluation and testing of the products with respect to the relevant specific application or use thereof. Neither Schneider Electric Industries SAS nor any of its affiliates or subsidiaries shall be responsible or liable for misuse of the information contained herein.

ambient air temperature for storage	-40...85 °C
vibration resistance	25 gn amplitude = +/- 2 mm (f = 10...55 Hz) conforming to IEC 60068-2-6
shock resistance	50 gn for 11 ms conforming to IEC 60068-2-27

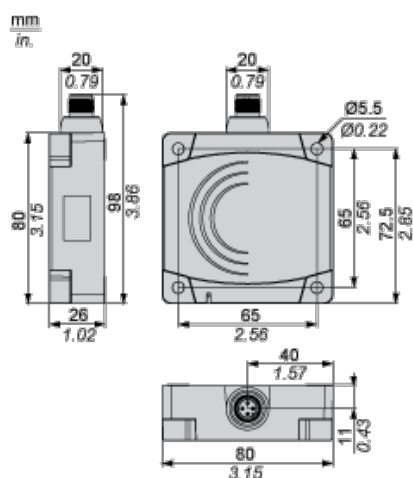
## Offer Sustainability

Sustainable offer status	Green Premium product
RoHS (date code: YYWW)	Compliant - since 0903 - Schneider Electric declaration of conformity
REACH	Reference not containing SVHC above the threshold
Product environmental profile	Available
Product end of life instructions	Need no specific recycling operations

## Contractual warranty

Warranty period	18 months
-----------------	-----------

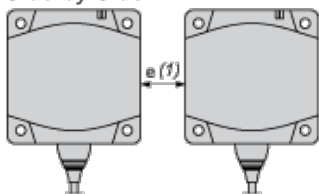
## Dimensions



## Setting-up

### Minimum Mounting Distances (mm)

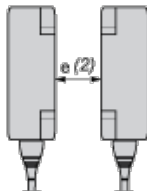
#### Side by Side



e (1) 120

≧

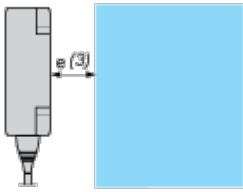
#### Face to Face



e (2) 300

≧

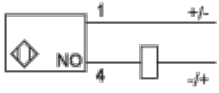
#### Facing a Metal Object



e (3) 120  
≥

## Wiring Schemes

### 2-Wire NO



M12

