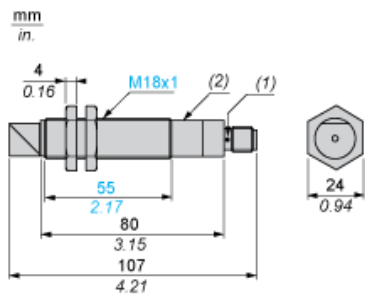


Dimensions



- (1) LED
- (2) Potentiometer

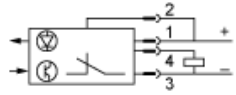
---

Wiring Schemes (3-wire DC)

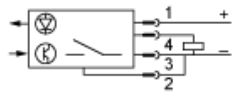
---

Receiver

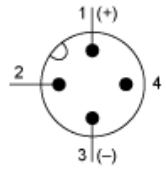
Light switching (no object present). PNP output



Dark switching (no object present). PNP output



Connector Pin View



- (1) (+)
- (2) Programming
- (3) (-)
- (4) Output