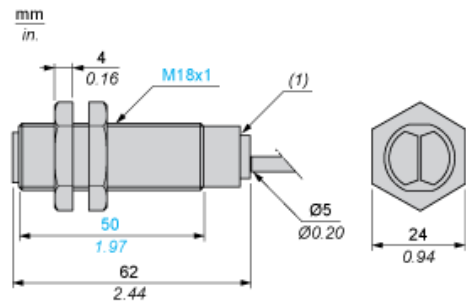


Dimensions



(1) LED

---

Mounting and Clearance

---

Fixing nut tightening torque: < 15 N.m

Connector tightening torque: 2 N.m