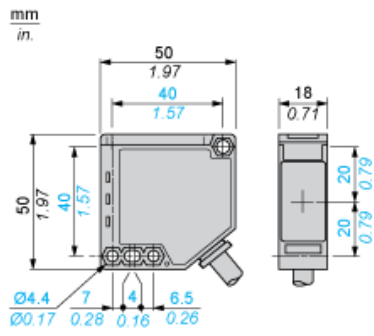
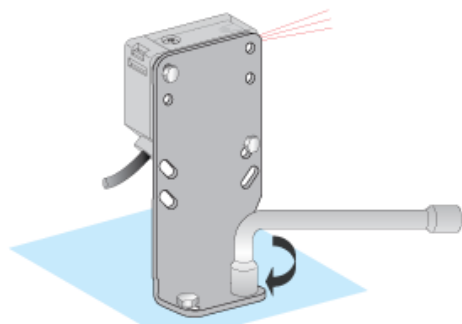


Dimensions

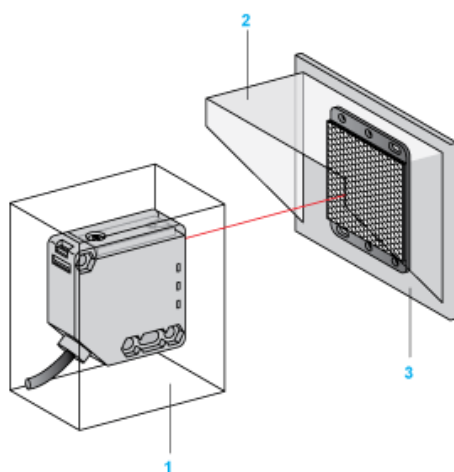


Mounting Precautions

Rigid Fixing for Trouble Free Detection



Outdoor Mounting under Protective Cover



- (1) Protective housing
- (2) Lens hood
- (3) Thermal insulator to avoid frost or condensation forming on the optical parts