

XUK9ARCNL10

photo-electric sensor - XUK - polarised - Sn 5m -
24..240VAC/DC - cable 10m



Main

| | |
|-------------------------------|--|
| Range of product | OsiSense XU |
| Series name | General purpose single mode |
| Electronic sensor type | Photo-electric sensor |
| Sensor name | XUK |
| Sensor design | Compact 50 x 50 |
| Detection system | Polarised reflex |
| Material | Plastic |
| Type of output signal | Discrete |
| Supply circuit type | AC/DC |
| Wiring technique | 5-wire |
| Discrete output function | 1 C/O |
| Electrical connection | Cable |
| Cable length | 10 m |
| Product specific application | - |
| Emission | Red polarised reflex |
| [Sn] nominal sensing distance | 6 m polarised reflex need reflector XUZC50 |

Complementary

| | |
|---------------------------|--|
| Enclosure material | PBT |
| Lens material | PMMA |
| Maximum sensing distance | 8 m polarised reflex |
| Output type | Relay |
| Wire insulation material | PVC |
| Status LED | 1 LED (green) for supply 1 LED (yellow) for output state |
| [Us] rated supply voltage | 24...240 V AC/DC |
| Supply voltage limits | 20...264 V AC 20...264 V DC |
| Switching capacity in mA | 3 A (cos ϕ = 1 for 0.5 million cycles at 1 operating cycle per second at 250 V) |
| Switching frequency | \leq 20 Hz |
| Voltage drop | \leq 1.5 V (closed state) |
| Current consumption | \leq 35 mA (no-load) |
| Power consumption in W | 2 W AC |
| Delay first up | < 60 ms |
| Delay response | < 25 ms |
| Delay recovery | < 25 ms |
| Setting-up | Without sensitivity adjustment |
| Electrical durability | 500000 cycles, cos f = 1, 60 cyc/mn at 250 V |
| Depth | 50 mm |
| Height | 50 mm |
| Width | 18 mm |
| Product weight | 0.19 kg |

Environment

| | |
|---------------------------------------|-----------------|
| product certifications | CE CSA UL |
| ambient air temperature for operation | -25...55 °C |

The information provided in this documentation contains general descriptions and/or technical characteristics of the products contained herein. This documentation is not intended as a substitute for and is not to be used for determining suitability or reliability of these products for specific user applications. It is the duty of any such user or integrator to perform the appropriate and complete risk analysis, evaluation and testing of the products with respect to the relevant specific application or use thereof. Neither Schneider Electric Industries SAS nor any of its affiliates or subsidiaries shall be responsible or liable for misuse of the information contained herein.

| | |
|-------------------------------------|---|
| ambient air temperature for storage | -40...70 °C |
| vibration resistance | 7 gn, amplitude = +/- 1.5 mm (f = 10...55 Hz) conforming to IEC 60068-2-6 |
| shock resistance | 30 gn (duration = 11 ms) conforming to IEC 60068-2-27 |
| IP degree of protection | IP65 double insulation conforming to IEC 60529 |

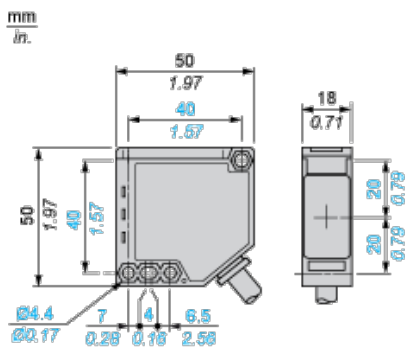
Offer Sustainability

| | |
|----------------------------------|---|
| Sustainable offer status | Not Green Premium product |
| RoHS (date code: YYWW) | Compliant - since 0841 - Schneider Electric declaration of conformity |
| Product environmental profile | Available |
| Product end of life instructions | Available |

Contractual warranty

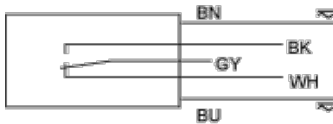
| | |
|-----------------|-----------|
| Warranty period | 18 months |
|-----------------|-----------|

Dimensions



Wiring Schemes

Relay Output



BN : Brown

BU : Blue

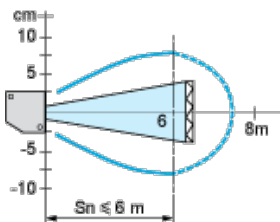
NO/BK :Black

Relay Grey

common/GY :

NC/WH :White

Detection Curves



With reflector XUZC50