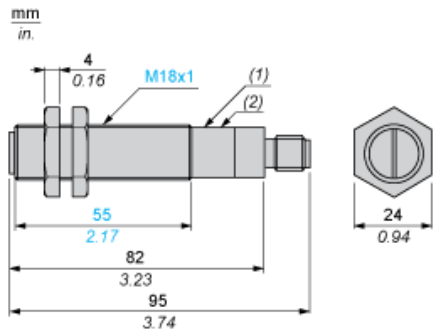


Dimensions



- (1) Potentiometer
- (2) Green LED

---

Mounting and Clearance

---

Fixing nut tightening torque: < 15 N.m