

XUVU06M3PSNM8

ultrasonic sensor label fork 60x3 - 12..24 V DC - PNP
NO/NC connect M8



Main

Range of product	OsiSense XU
Series name	Application packaging
Electronic sensor type	Photo-electric sensor
Sensor name	XUV
Sensor design	Fork
Detection system	Thru beam
Emission	Ultrasonic
Type of setting	With
Passage width	3 mm
Passage depth	69 mm
Material	Metal
Supply circuit type	DC
Wiring technique	4-wire
Discrete output type	PNP
Discrete output function	1 NO or 1 NC programmable
Electrical connection	1 male connector M8, 4 pins
Product specific application	Detection of transparent labels
[Sn] nominal sensing distance	3 mm thru beam

Complementary

Setting-up	Numeric potentiometer
Enclosure material	Zinc alloy
Lens material	PC
Accuracy	+/- 0.20 mm at 120 m/min
Label length	>= 2 mm
Distance between labels	>= 2 mm
Passing speed of object	<= 180 m/min
Type of output signal	Discrete
Output type	Solid state
Status LED	1 LED (red) for adjustment mode and keypad locking 1 LED (yellow) for output state
[Us] rated supply voltage	12...24 V DC with reverse polarity protection
Supply voltage limits	10...30 V DC
Switching capacity in mA	<= 100 mA (overload and short-circuit protection)
Switching frequency	<= 1500 Hz
Voltage drop	<= 2 V (closed state)
Delay first up	<= 30 ms
Delay response	< 0.3 ms
Delay recovery	< 0.3 ms
Depth	47 mm
Height	92.5 mm
Width	18 mm
Product weight	0.13 kg

Environment

product certifications	CE CULus
------------------------	-------------

The information provided in this documentation contains general descriptions and/or technical characteristics of the products contained herein. This documentation is not intended as a substitute for and is not to be used for determining suitability or reliability of these products for specific user applications. It is the duty of any such user or integrator to perform the appropriate and complete risk analysis, evaluation and testing of the products with respect to the relevant specific application or use thereof. Neither Schneider Electric Industries SAS nor any of its affiliates or subsidiaries shall be responsible or liable for misuse of the information contained herein.

ambient air temperature for operation	5...55 °C
ambient air temperature for storage	-20...70 °C
vibration resistance	7 gn, amplitude = +/- 1.5 mm (f = 10...55 Hz) conforming to IEC 60068-2-6
shock resistance	30 gn (duration = 11 ms) conforming to IEC 60068-2-27
IP degree of protection	IP65 conforming to IEC 60529

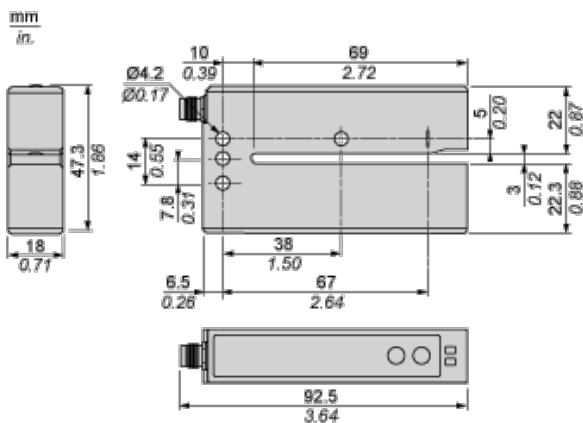
Offer Sustainability

Sustainable offer status	Not Green Premium product
RoHS (date code: YYWW)	Compliant - since 1214 - Schneider Electric declaration of conformity
REACH	Reference not containing SVHC above the threshold

Contractual warranty

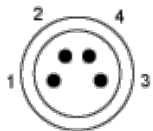
Warranty period	18 months
-----------------	-----------

Dimensions



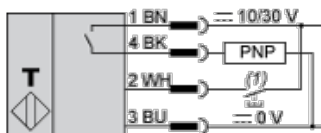
Wiring Schemes

Connector



- 1 : BN: Brown
- 2 : WH: White (remote teaching)
- 3 : BU: Blue
- 4 : BK: Black)

PNP Function



- (1) Remote teaching