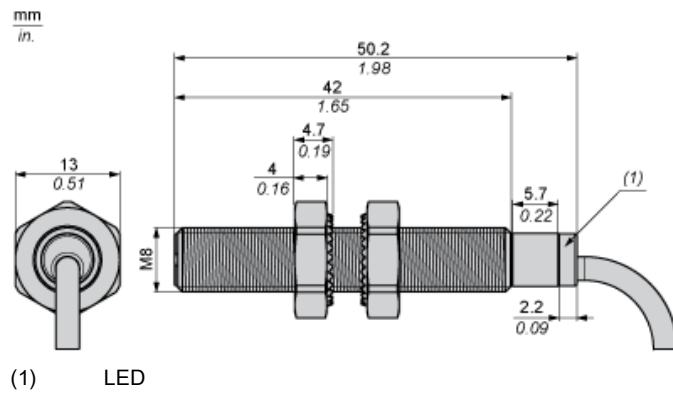


Dimensions



Minimum Mounting Distances

Side by side



$e (1) \geq 3 \text{ mm}/0.12 \text{ in.}$

Face to face



$e (2) \geq 18 \text{ mm}/0.71 \text{ in.}$

Facing a metal object



$e (3) \geq 4.5 \text{ mm}/0.18 \text{ in.}$