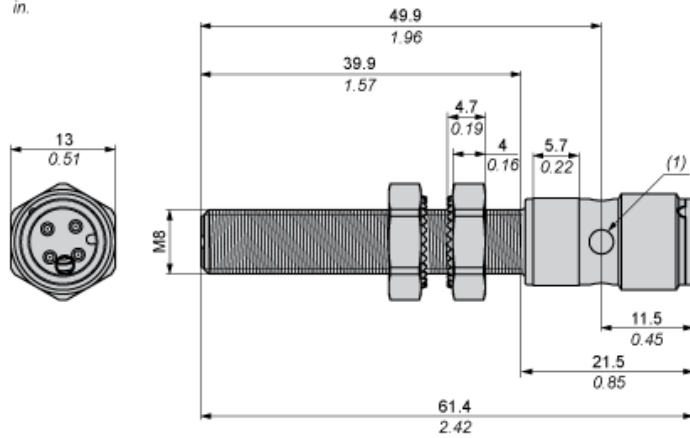


Dimensions

mm  
in.



(1) LED

---

Minimum Mounting Distances

---

Side by side



e (1)  $\geq$  3 mm/0.12 in.

Face to face



e (2)  $\geq$  8 mm/0.71 in.

Facing a metal object



e (3)  $\geq$  4.5 mm/0.18 in.