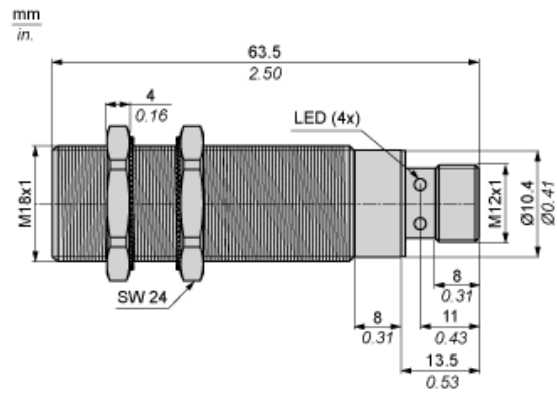


Dimensions



Minimum Mounting Distances

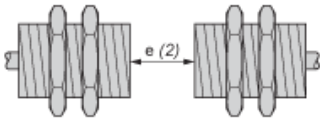
Side by side



e (1) 42 mm/1.65 in.

≥

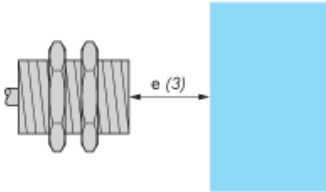
Face to face



e (2) 40 mm/1.57 in.

≥

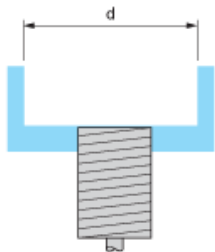
Facing a metal object



e (3) 30 mm/1.18 in.

≥

Mounted in a metal support



d ≥ 50 mm/1.97 in