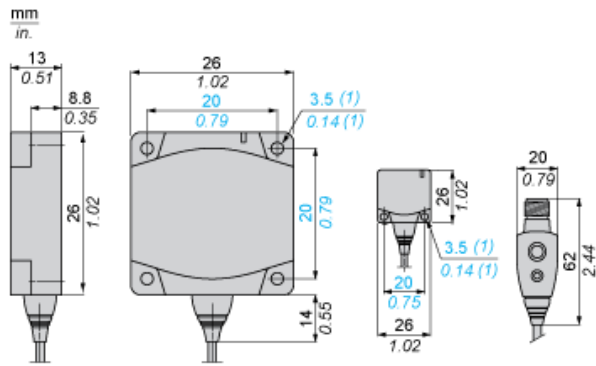


Dimensions

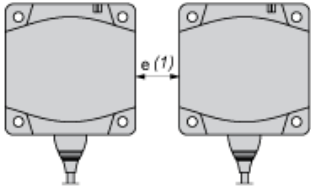


(1) For CHC type screws

Setting-up

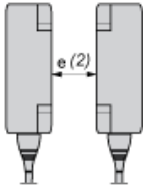
Minimum Mounting Distances (mm)

Side by Side



$$e (1) \geq 40$$

Face to Face



$$e (2) \geq 80$$