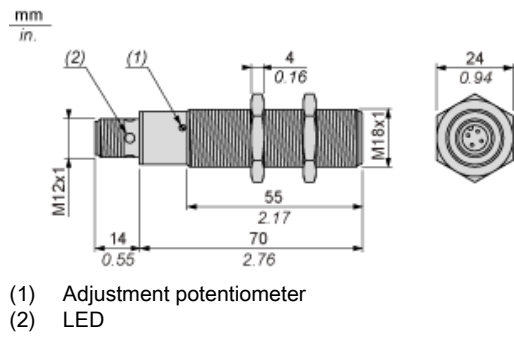


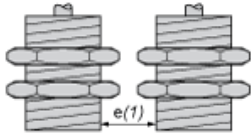
Dimensions



Setting-up

Minimum Mounting Distances (mm)

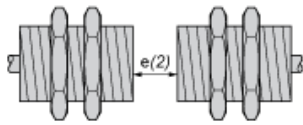
Side by side



e(1) 0

≥

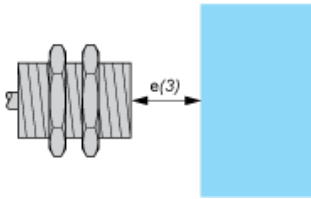
Face to face



e(2) 11

≥

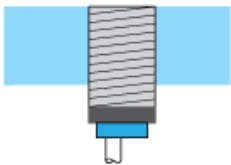
Facing a metal object



e(3) 10

≥

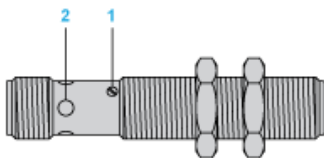
Mounted in support



Fixing nut tightening torque: 28 N.m

Adjustment

Sensitivity Adjustment



(1) Adjustment potentiometer

(2) LED