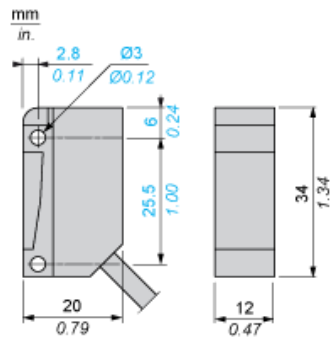
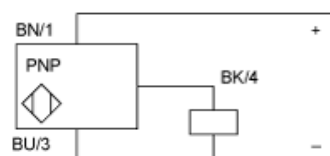


Dimensions



Wiring Schemes

Receiver, PNP Output



BN : Brown
BU : Blue
BK : Black