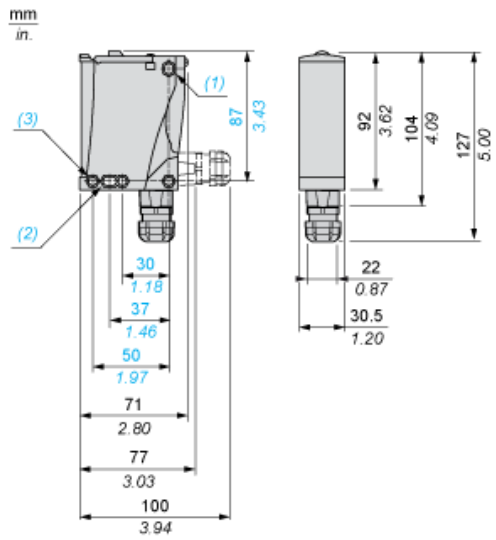


Dimensions



- (1) Elongated hole  $\text{\O} 5.5 \times 7$
- (2) Elongated hole  $\text{\O} 5.5 \times 9$
- (3)  $\text{\O} 5.5$  hole

---

Wiring Schemes

---

PNP/NPN DC

M12		Terminals		
1		1		+
3		2		-
4		3		Output