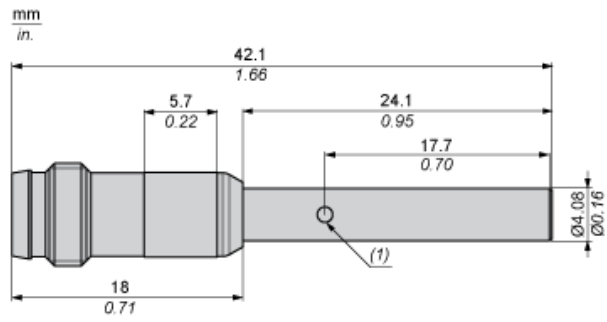


Dimensions



(1) LED

Minimum Mounting Distances in mm

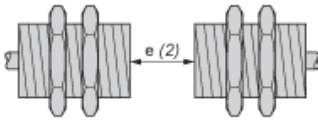
Side by side



e (1) 2 mm/0.79 in.

≥

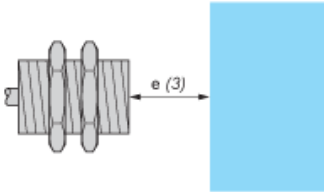
Face to face



e (2) 12 mm/0.47 in.

≥

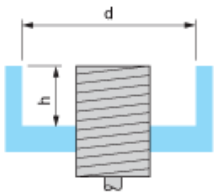
Facing a metal object



e (3) 3 mm/0.12 in.

≥

Mounted in a metal support



$d \geq 4 \text{ mm/0.16 in.}$

$h \geq 0 \text{ mm/0 in.}$

Tightening torque : 1.6 N.m. (values obtained with washers mounted)