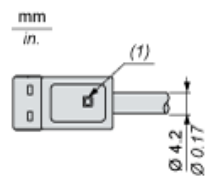


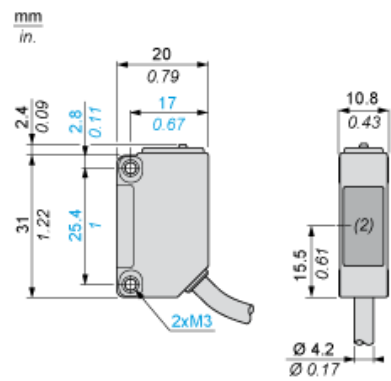
Dimensions

Transmitter. Pre-cable Version

Description



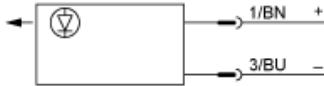
Dimensions



- (1) Power supply indicator (orange)
- (2) Transmission

Connections and Schema

DC Transmitter



BN : Brown
BU : Blue