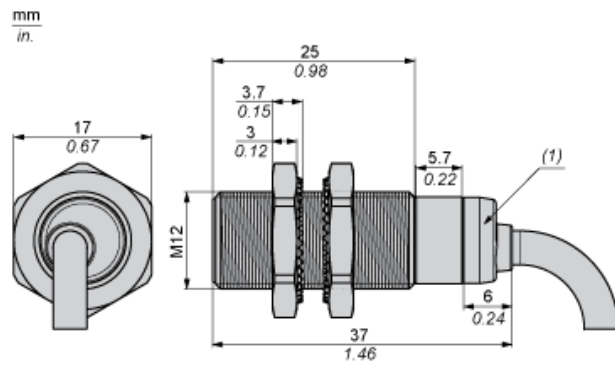


Dimensions



(1) LED

Minimum Mounting Distances

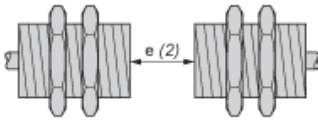
Side by side



e (1) 16 mm/0.63 in.

≥

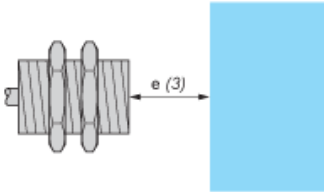
Face to face



e (2) 48 mm/1.89 in.

≥

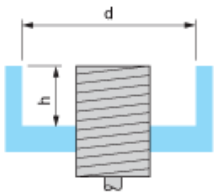
Facing a metal object



e (3) 12 mm/0.47 in.

≥

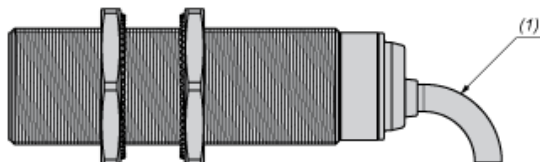
Mounted in a metal support



$d \geq 36 \text{ mm/1.42 in.}$

$h \geq 8 \text{ mm/0.31 in.}$

Mounting



(1) Bending cable: 4 x external cable diameter