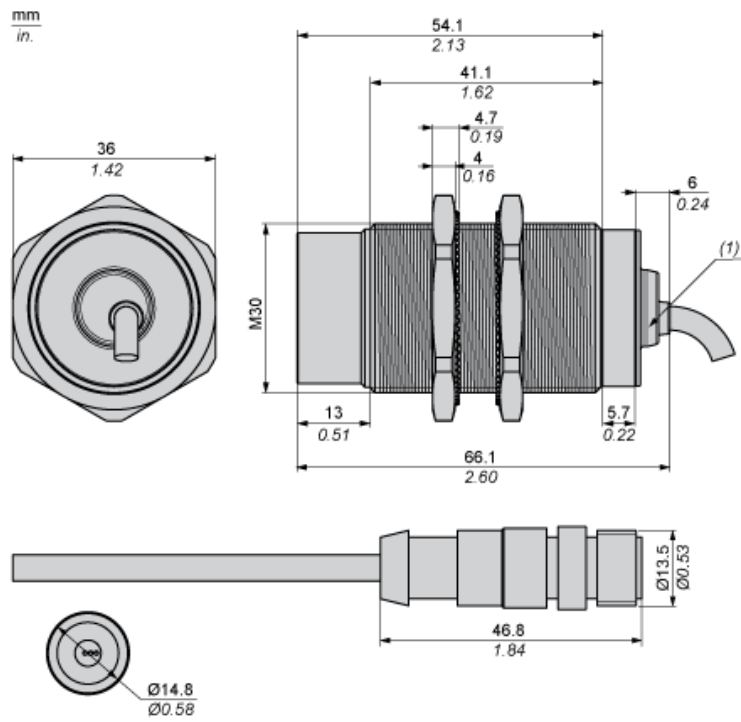


Dimensions



(1) LED

---

Minimum Mounting Distances in mm

---

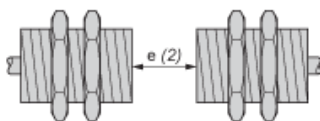
Side by side



e (1) 48 mm/1.89 in.

≥

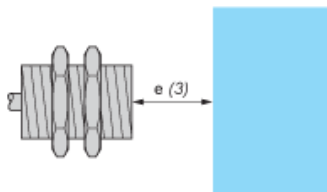
Face to face



e (2) 180 mm/7.09 in.

≥

Facing a metal object



e (3) 11 mm/0.43 in.

≥