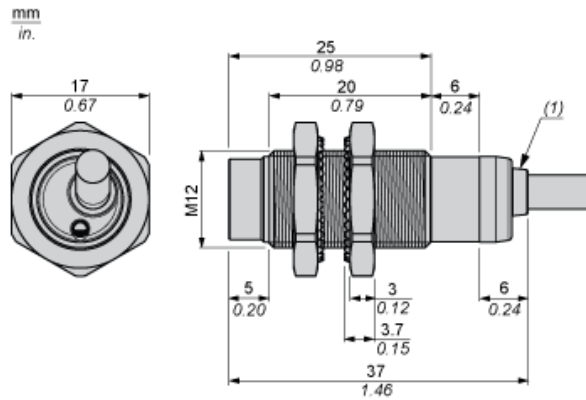


Dimensions

Pre-cabled

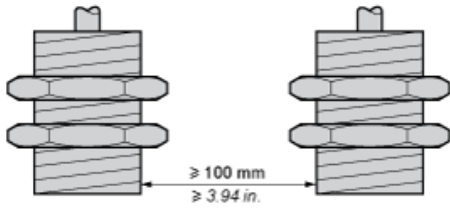


(1) Yellow LED (Output state indication)

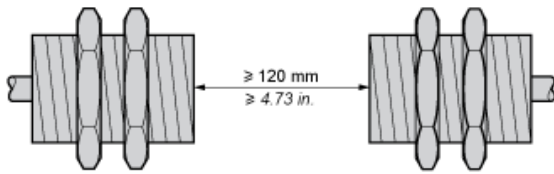
Mounting and Clearance

Minimum Mounting Distances

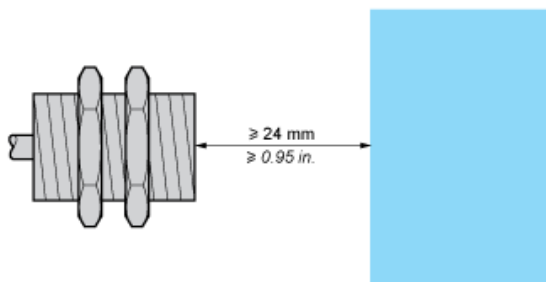
Side by Side



Face to Face



Facing a Metal Object



Mounted in a Metal Support

