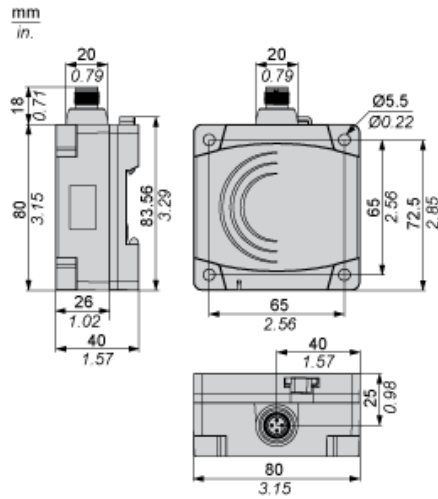


Dimensions



(1) Cable gland : M9.5 x 1

Setting-up

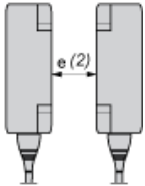
Minimum Mounting Distances (mm)

Side by Side



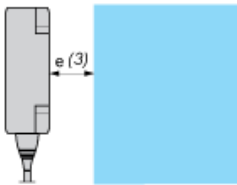
$$e(1) \geq 120$$

Face to Face



$$e(2) \geq 300$$

Facing a Metal Object



$$e(3) \geq 120$$