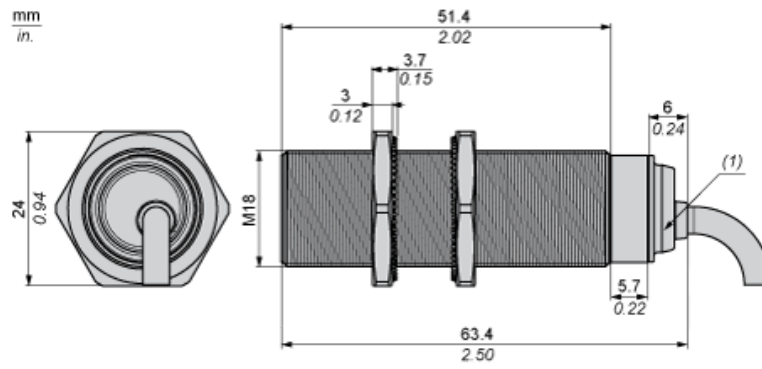


Dimensions



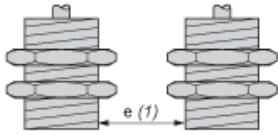
(1) LED

---

Minimum Mounting Distances

---

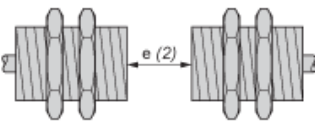
Side by side



e (1) 32 mm/1.26 in.

≥

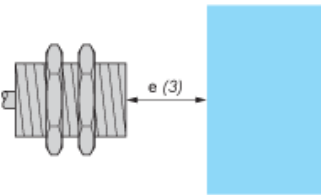
Face to face



e (2) 96 mm/3.78 in.

≥

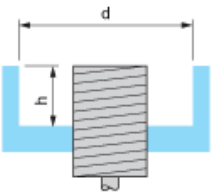
Facing a metal object



e (3) 24 mm/0.94 in.

≥

Mounted in a metal support



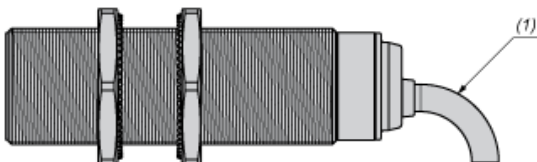
d ≥ 56 mm/2.20 in.

h ≥ 16 mm/0.63 in.

---

Mounting

---



(1) Bending cable: 4 x external cable diameter