

## XS612B1MBU20

inductive sensor XS6 M12 - L62mm - brass - Sn4mm  
- 24..240VAC/DC - 1/2"



### Main

|                                    |   |
|------------------------------------|---|
| Range of product                   | OsiSense XS   |
| Series name                        | General purpose   |
| Sensor type                        | Inductive proximity sensor                                    |
| Device application                 | -   |
| Sensor name                        | XS6   |
| Sensor design                      | Cylindrical M12   |
| Size                               | 62 mm   |
| Body type                          | Fixed   |
| Detector flush mounting acceptance | Flush mountable   |
| Material                           | Metal   |
| Type of output signal              | Discrete  |
| Wiring technique                   | 2-wire  |
| [Sn] nominal sensing distance      | 4 mm  |
| Discrete output function           | 1 NC  |
| Output circuit type                | AC/DC   |
| Electrical connection              | Male connector 1/2"20 UNF 3 pins                              |
| [Us] rated supply voltage          | 24...240 V AC/DC (50/60 Hz)                                   |
| Switching capacity in mA           | 5...200 mA AC/DC  |
| IP degree of protection            | IP67 conforming to IEC 60529<br>IP69K conforming to DIN 40050 |

### Complementary

|                       |                                 |
|-----------------------|---------------------------------|
| Thread type           | M12 x 1                         |
| Detection face        | Frontal                         |
| Front material        | PPS                             |
| Enclosure material    | Nickel plated brass             |
| Operating zone        | 0...3.2 mm                      |
| Differential travel   | 1...15% of Sr                   |
| Status LED            | 1 LED (yellow) for output state |
| Supply voltage limits | 20...264 V AC/DC                |
| Residual current      | <= 0.8 mA, open state           |
| Switching frequency   | <= 1000 Hz DC<br><= 25 Hz AC    |
| Voltage drop          | <= 5.5 V, closed state          |
| Delay first up        | <= 20 ms                        |
| Delay response        | <= 0.5 ms                       |
| Delay recovery        | <= 0.2 ms                       |
| Marking               | CE                              |
| Threaded length       | 42 mm                           |
| Length                | 62 mm                           |
| Product weight        | 0.025 kg                        |

### Environment

|                        |           |
|------------------------|-----------|
| product certifications | CSA<br>UL |
|------------------------|-----------|

The information provided in this documentation contains general descriptions and/or technical characteristics of the products contained herein. This documentation is not intended as a substitute for and is not to be used for determining suitability or reliability of these products for specific user applications. It is the duty of any such user or integrator to perform the appropriate and complete risk analysis, evaluation and testing of the products with respect to the relevant specific application or use thereof. Neither Schneider Electric Industries SAS nor any of its affiliates or subsidiaries shall be responsible or liable for misuse of the information contained herein.

|                                       |   |
|---------------------------------------|---|
| ambient air temperature for operation | -25...70 °C   |
| ambient air temperature for storage   | -40...85 °C   |
| vibration resistance                  | 25 gn, amplitude: +/- 2 mm (f = 10...55 Hz) conforming to IEC 60068-2-6 |
| shock resistance                      | 50 gn (duration = 11 ms) conforming to IEC 60068-2-27                   |

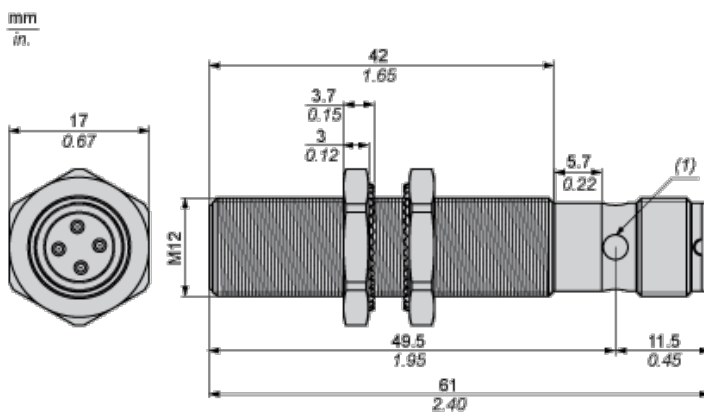
## Offer Sustainability

|                                  |   |
|----------------------------------|---|
| Sustainable offer status         | Green Premium product   |
| RoHS (date code: YYWW)           | Compliant - since 0810 - Schneider Electric declaration of conformity |
| REACH                            | Reference not containing SVHC above the threshold                     |
| Product environmental profile    | Available   |
| Product end of life instructions | Available   |

## Contractual warranty

|                 |           |
|-----------------|-----------|
| Warranty period | 18 months |
|-----------------|-----------|

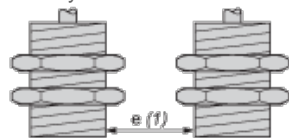
## Dimensions



(1) LED

## Minimum Mounting Distances

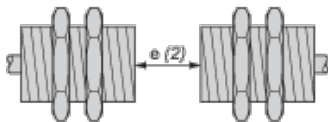
Side by side



e (1) 8 mm/0.31 in.

≥

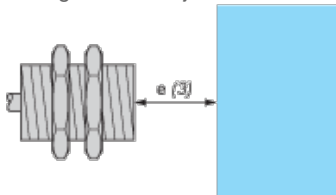
Face to face



e (2) 48 mm/1.89 in.

≥

Facing a metal object

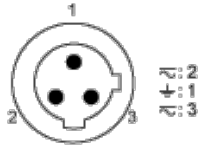


e (3) 12 mm/0.47 in.

≥

## Wiring Schemes

1/2"-20UNF  
1/2"-20UNF



1 : Grounding

2 : AC

3 : AC

NC output

