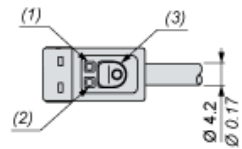


Dimensions

Receiver. Pre-cable Version

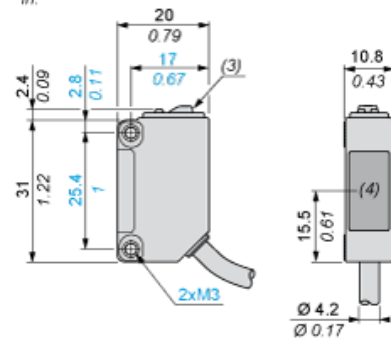
Description

mm
in.



Dimensions

mm
in.



- (1) Output indicator (orange)
- (2) Stability indicator (green)
- (3) Setting pushbutton
- (4) Reception

Connections and Schema

Pre-cabled

(-) : BU (Blue)

(+) : BN (Brown)

OUT/Output : BK (Black)