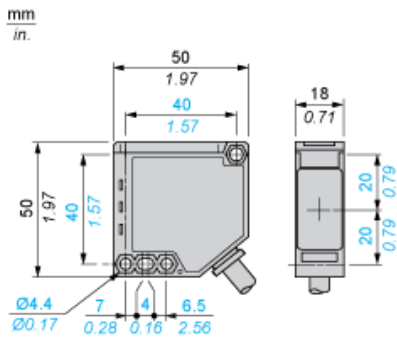
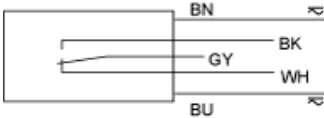


Dimensions



Wiring Schemes

Relay Output



- BN : Brown
- BU : Blue
- NO/BK : Black
- Relay common/GY : Grey
- NC/WH : White