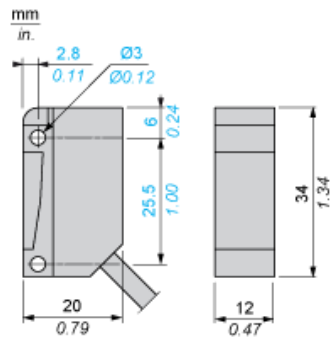
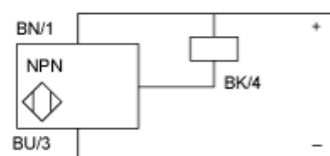


Dimensions



Wiring Schemes

Receiver, NPN Output



BN : Brown

BU : Blue

BK : Black