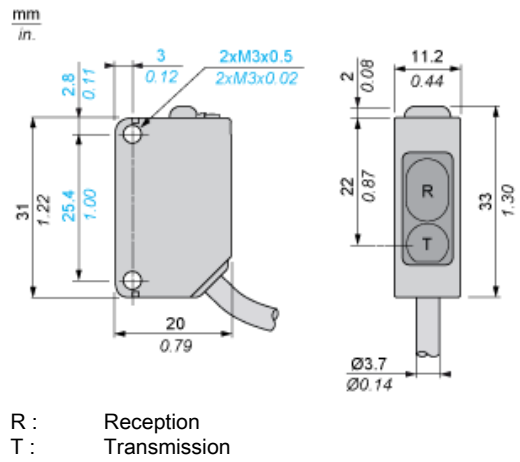


Dimensions



---

Mounting

---

