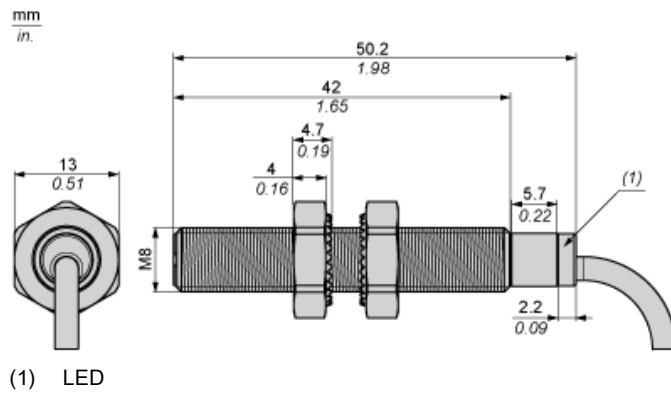


Dimensions



---

Minimum Mounting Distances

---

Side by side



e (1) 10 mm/0.39 in.

≥

Face to face



e (2) 30 mm/1.18 in.

≥

Facing a metal object



e (3) 7.5 mm/0.30 in.

≥

Mounted in a metal support



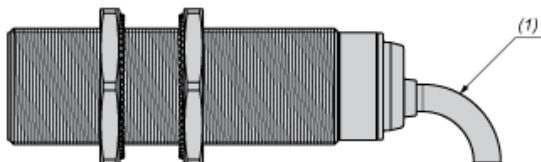
d ≥ 24 mm/0.94 in.

h ≥ 5 mm/0.20 in.

---

Mounting

---



(1) Bending cable: 4 x external cable diameter