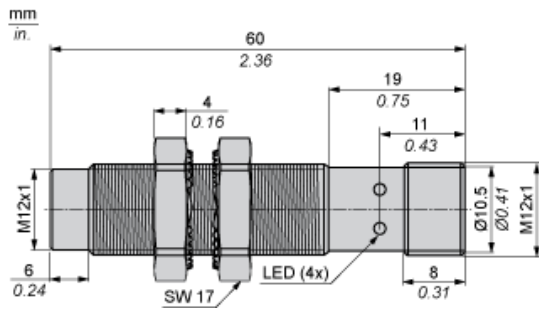


Dimensions



Minimum Mounting Distances in mm

Side by side



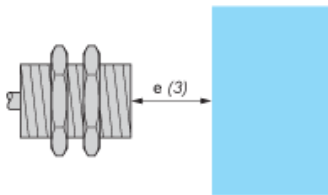
$e (1) \geq 108 \text{ mm}/4.25 \text{ in.}$

Face to face



$e (2) \geq 40 \text{ mm}/1.57 \text{ in.}$

Facing a metal object



$e (3) \geq 30 \text{ mm}/0.18 \text{ in.}$

Mounted in a metal support



$d \geq 30 \text{ mm}/0.18 \text{ in.}$

$h \geq 22 \text{ mm}/0.87 \text{ in.}$