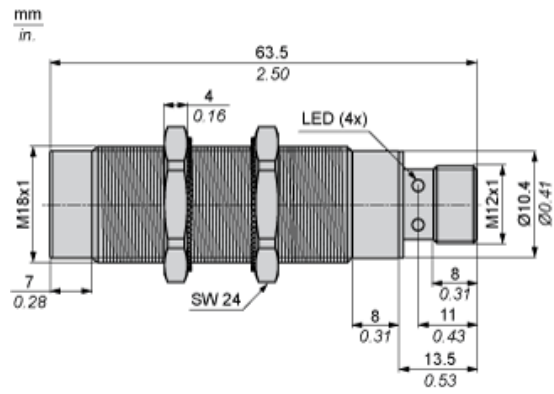


Dimensions



Minimum Mounting Distances

Side by side



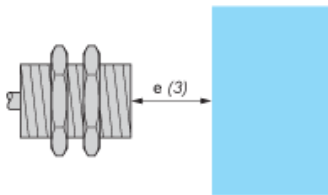
$e (1) \geq 182 \text{ mm}/7.16 \text{ in.}$

Face to face



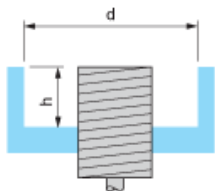
$e (2) \geq 70 \text{ mm}/2.75 \text{ in.}$

Facing a metal object



$e (3) \geq 60 \text{ mm}/2.36 \text{ in}$

Mounted in a metal support



$d \geq 60 \text{ mm}/2.36 \text{ in}$

$h \geq 34 \text{ mm}/1.34 \text{ in}$