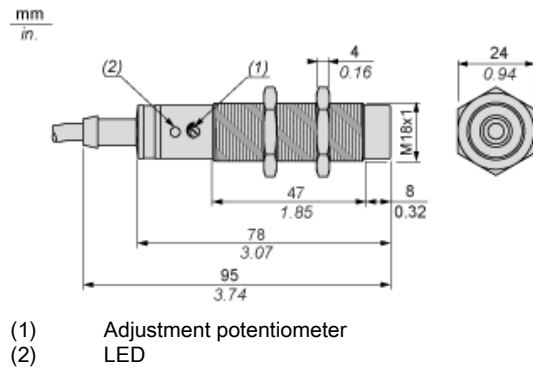


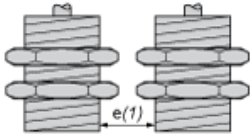
Dimensions



Setting-up

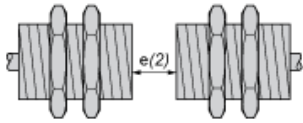
Minimum Mounting Distances (mm)

Side by side



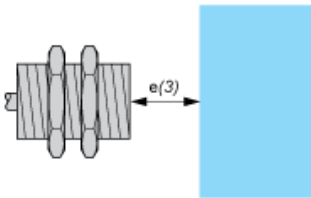
$$e(1) \geq 40$$

Face to face



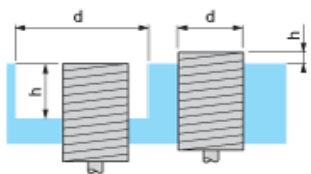
$$e(2) \geq 48$$

Facing a metal object



$$e(3) \geq 24$$

Mounted in support



$$d \geq 60$$

$$h \geq 20$$

Fixing nut tightening torque: 3 N.m