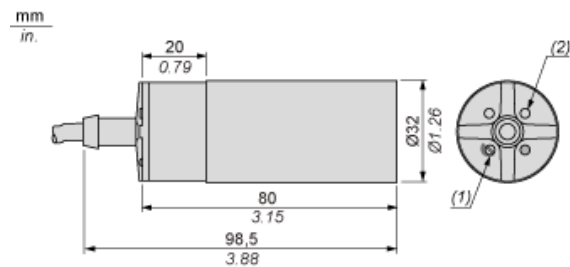
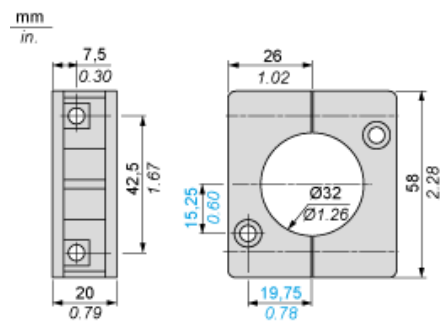


Dimensions



- (1) Adjustment potentiometer
- (2) LED

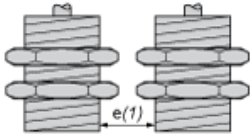
Mounting Accessory Included



Setting-up

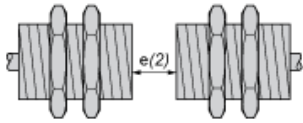
Minimum Mounting Distances (mm)

Side by side



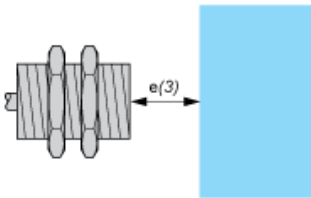
$$e(1) \geq 65$$

Face to face



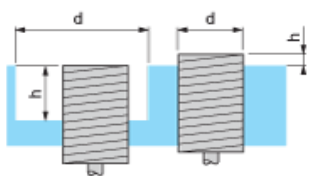
$$e(2) \geq 120$$

Facing a metal object



$$e(3) \geq 60$$

Mounted in support



$$d \geq 100$$
$$h \geq 30$$