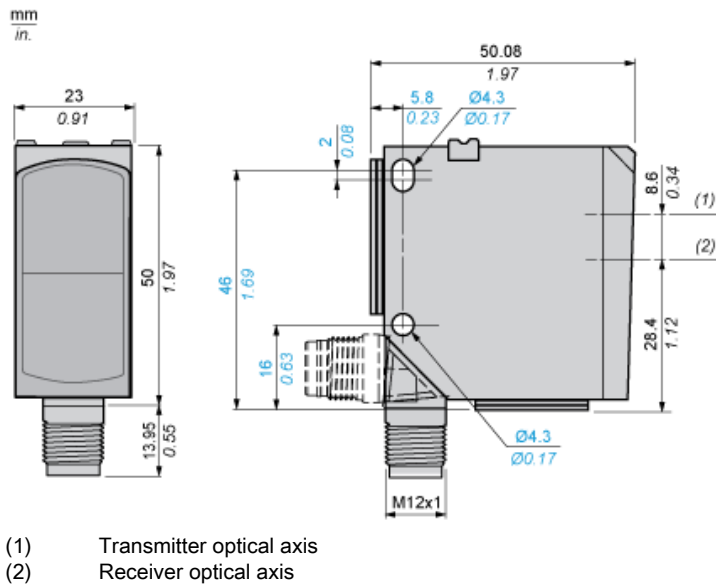
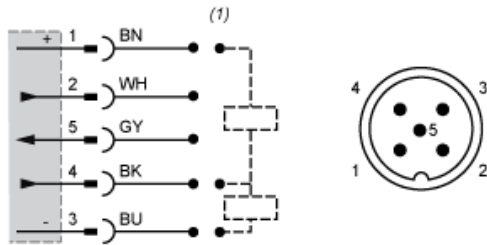


Dimensions



Connections and Schema

Connector Wiring



- (1) Auto-detect
- 1: + UB (BN: Brown)
- 2: Q2 (WH: White)
- 3: -UB (BU: Blue)
- 4: Q1(BK: Black)
- 5: IN (GY: Grey)