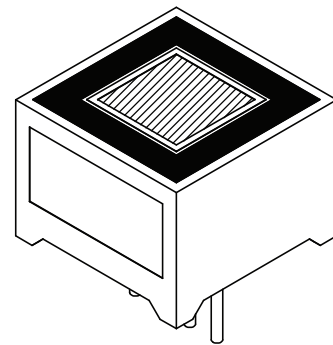
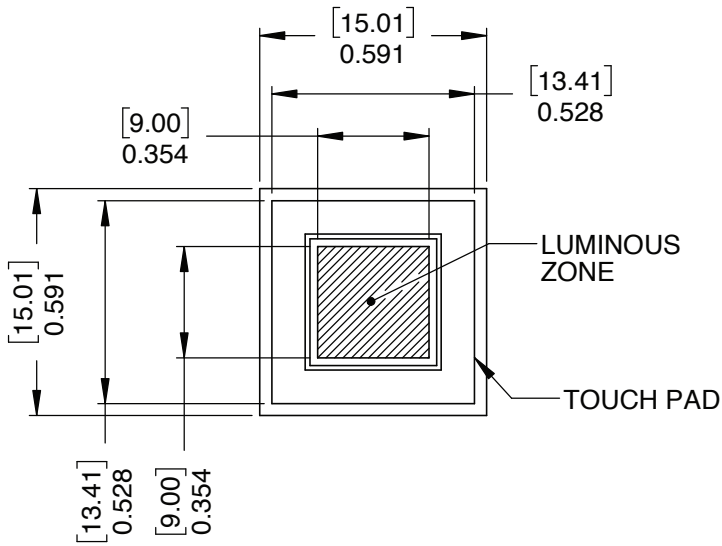
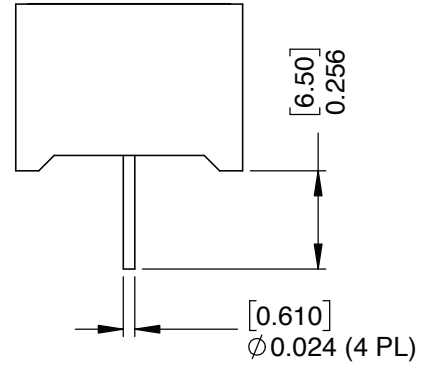
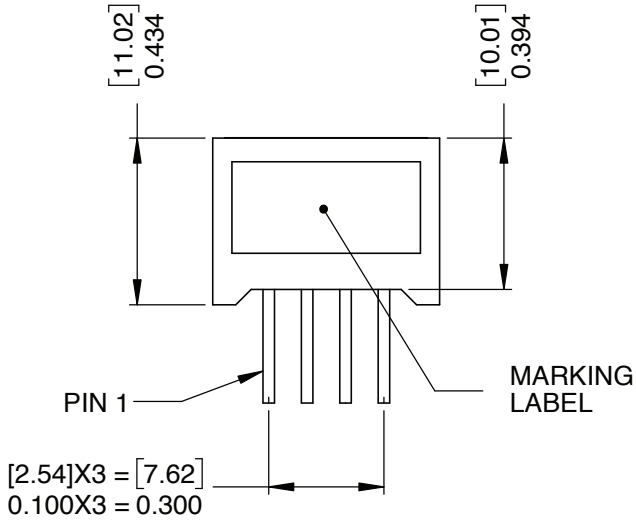
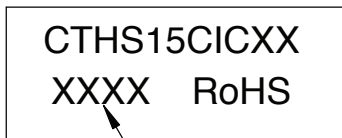


Package Dimensions



MARKING LABEL INFO

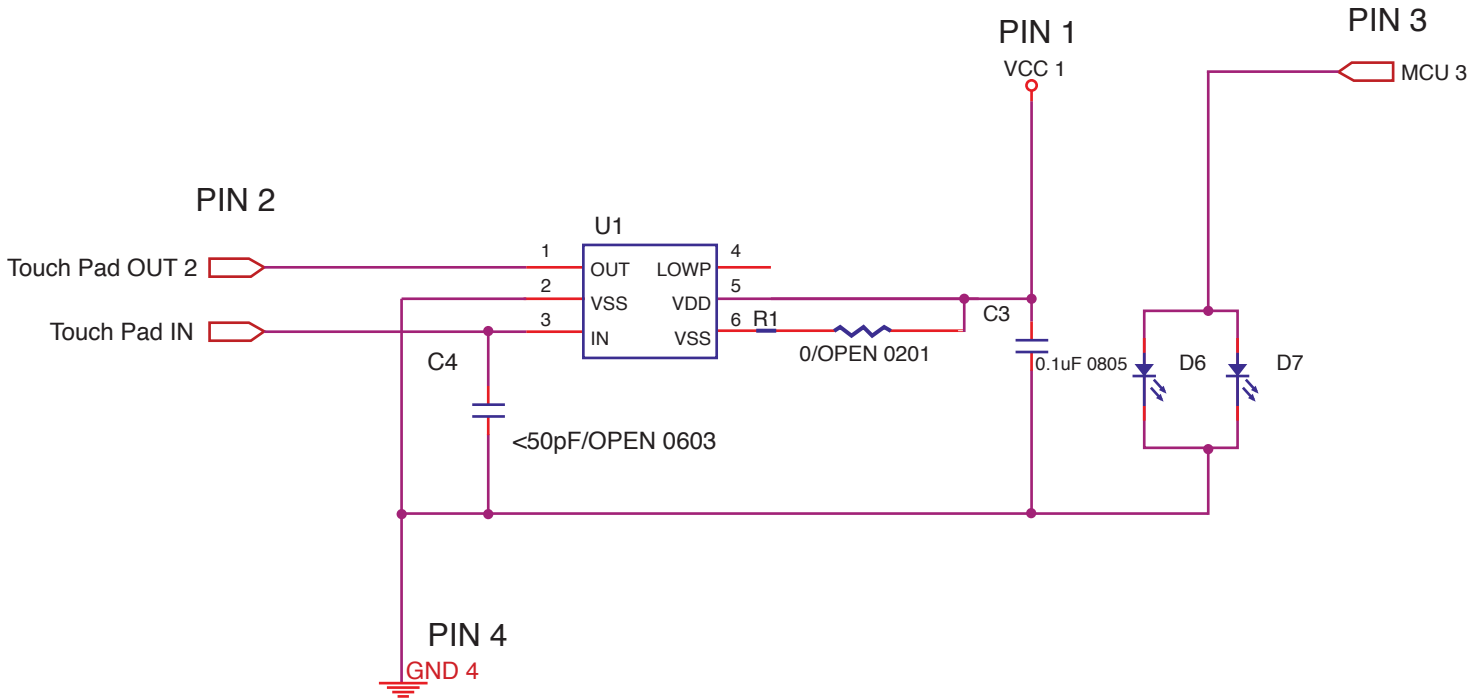


DATE CODE

Dimensions in [mm] inches
General tolerances unless otherwise specified:

	inches	mm
.X	$\pm .020$	$\pm .508$
.XX	$\pm .010$	$\pm .254$
.XXX	$\pm .005$	$\pm .127$

Internal Circuit Diagram



Internal IC Electrical Characteristics

(TA = 25°C, unless otherwise specified)

Symbol	Parameter	Condition	Min.	Typ.	Max.	Units.
VDD	Supply Voltage		2.0		5.5	V
VIH	High Level Input Voltage	@ VDD = 5V	0.7VDD		VDD	V
VIL	Low Level Input Voltage	@ VDD = 5V			0.3VDD	V
IDD1	Operating Current	@ VDD = 5V , no load		16		μA
		@ VDD = 3V , no load		3.5		
IDD2	Operating Current (SLRT=VDD)	@ VDD = 5V , no load		10.5		μA
		@ VDD = 3V , no load		2.5		
IOL	Low Level Output Current	@ VDD = 3V, VOL = 1V		30		mA
IOH	High Level Output Current	@ VDD = 3V, VOL = 2V		8		mA