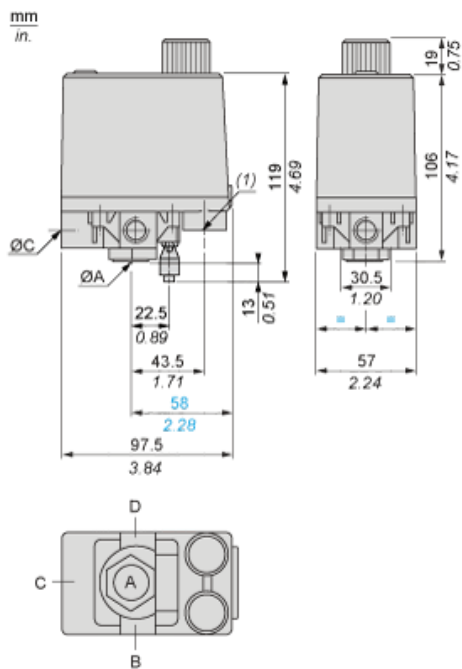


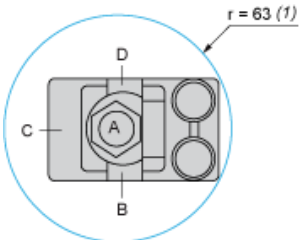
Dimensions

With Straight, Instant Connection, Decompression Valve



$\varnothing A = \varnothing B = \varnothing C = \varnothing D =$
(1) 2 tapped entries for Pg 13.5

Minimum Mounting Clearance



$\varnothing A = \varnothing B \in \varnothing C (r = 63)$

(1) Minimum clearance zone for screwing-on pressure switch at point A