

---

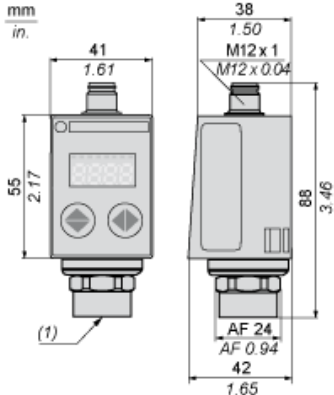
REACH

Reference not containing SVHC above the threshold

Reference not containing SVHC above the threshold

---

Dimensions



(1) Fluid entry: G 1/4 A female