

120W AC-DC Din Rail Mounted Power Supplies

multicomp PRO

Environment

Parameter	Conditions	MIN	TYP	MAX	Units
Ambient operating temperature	Startup at rated voltage	-25		+70	°C
Operating relative humidity	Non condensing	20		95	%
Storage temperature	Humidity 5% RH to 95% RH	-40		+85	°C
MTBF	Full load, 220V AC input, 25°C ambient temperature	200			Khrs
DC-OK led	LED(Green) DC OK LED light will be ON when the power supply is properly operated				
DC-Low led	LED (Red) DC Low LED light will be ON: (1) When output voltage is below 85%(±2.5%) from the rated output voltage; (2) When get over voltage, over current, over temperature and short circuit fault				
Cooling	Free air convection				
Mounting method	Vertical				
Dimension(W × H × D)	40mm × 130mm × 125mm (1.57inch × 5.12inch × 4.92inch)				
Weight	800g				
Packing	15pcs/13.5kg/0.7cuft/carton Carton size 620 × 260 × 175mm(L × W × H)				

Safety/EMC

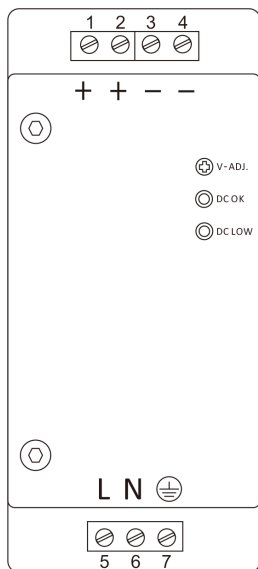
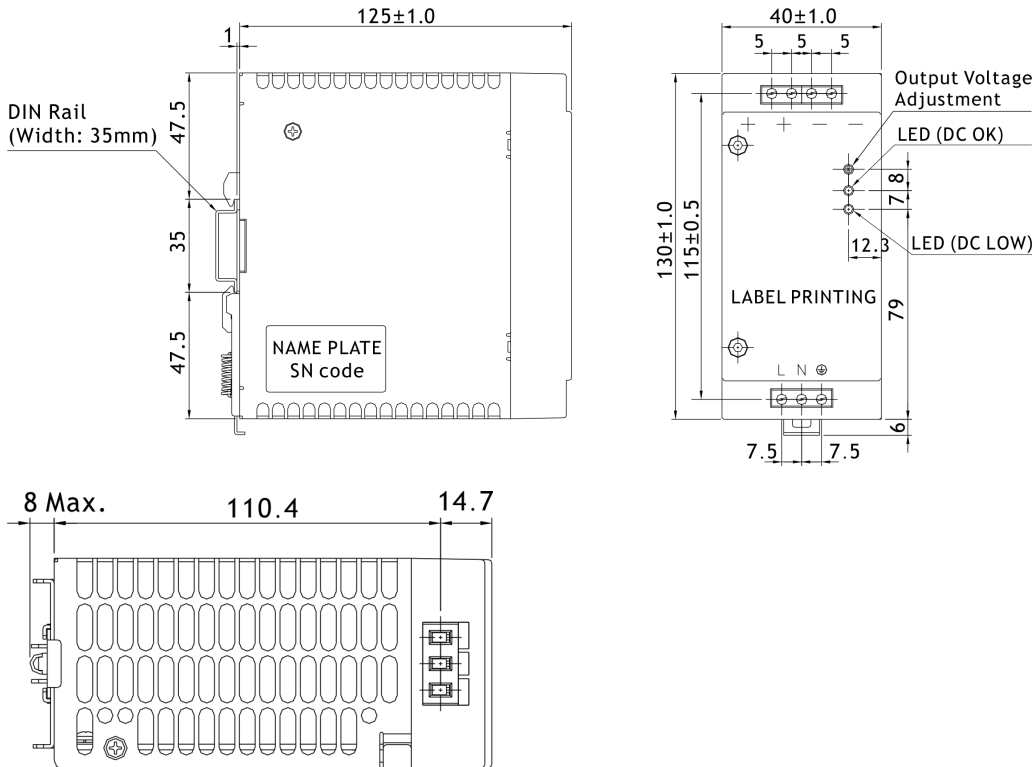
Isolation voltage	I/P-O/P: 3KV AC, I/P-FG: 1.5KV AC, O/P-FG: 1.5KV AC
Insulation resistance	100mΩ Max./500V DC
Safety	Design refer to UL60950-1, EN60950-1
EMC	EN 55022:2010+AC:2011 (CISPR 22:2008) ClassB EN 61000-3-2:2014 (IEC 61000-3-2:2014) EN 61000-3-3:2013 (IEC 61000-3-3:2013) EN 55024:2010 (CISPR 24:2010)

NOTE: Unless otherwise specified, all the above parameters are measured at ambient temperature of 25°C and Vin=100V AC to 240V AC.

120W AC-DC Din Rail Mounted Power Supplies

multicomp PRO

Mechanical



Marking	No.	Assignment
+	1	DC(+) Output Terminal
+	2	
-	3	DC(-) Output Terminal
-	4	
L	5	AC(L) Input Terminal
N	6	AC(N) Input Terminal
Ⓧ	7	AC Grounding Terminal
V-ADJ.	/	DC Output voltage adjustment trimmer
DC OK	/	DC Output OK indication LED(Green)
DC LOW	/	DC Output Low indication LED(Red)