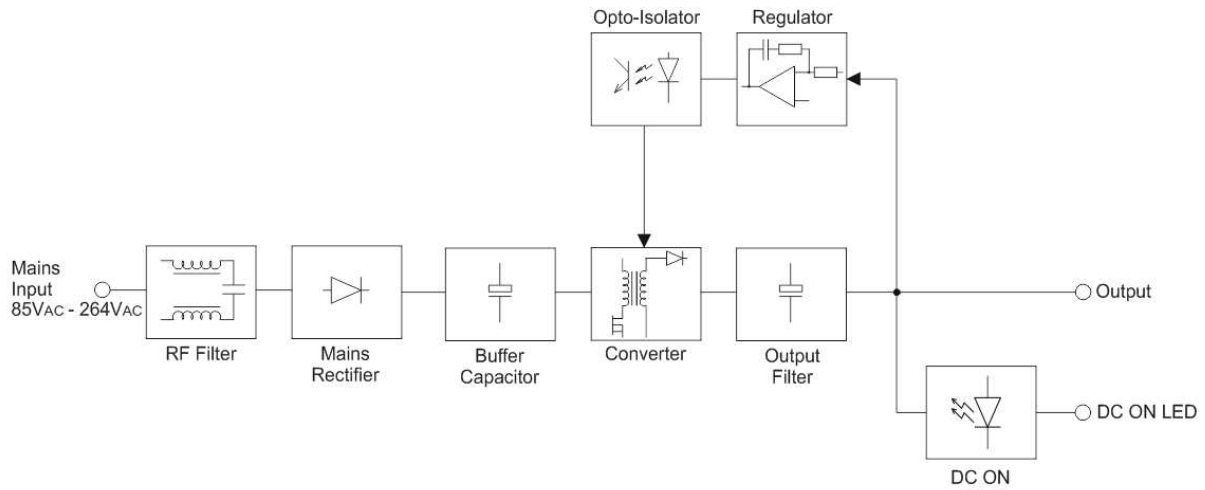


General Specifications (continued)

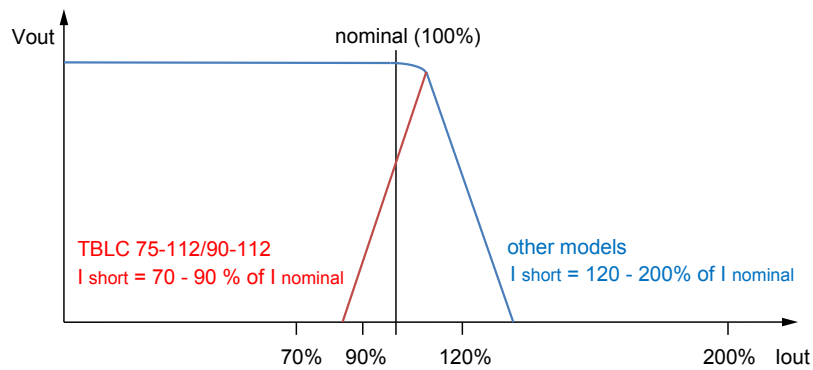
Safety standards	<ul style="list-style-type: none"> – Information technology equipment – Household applications – Safety of machinery – Safety for power electronic converter systems – Industrial control equipment – Class II Power units – NEC class 2 – Electronic equipment for power installation – Safety of transformers – Certification documents 	<ul style="list-style-type: none"> IEC/EN 60950-1, UL 60950-1 IEC/EN 60335-1 EN 60204 IEC/EN 62477 UL 508 UL 1310 UL 1310 (not TBLC 90-xxx and TBLC 75-112) EN 50178 EN 61558-2-8, EN 61558-2-16 www.tracopower.com/overview/tbhc
Electromagnetic compatibility (EMC), Emissions	<ul style="list-style-type: none"> – Conducted RI suppression on input – Conducted disturbance on output TBLC 50/75/90: – Radiated RI suppression – Harmonic current emissions 	<ul style="list-style-type: none"> EN 61000-6-3, EN 61204-3 EN 55032 class B EN 55014 class B, CISPR 16-1-1 EN 55032 class B IEC 61000-3-2 class A
Electromagnetic compatibility (EMC), Immunity	<ul style="list-style-type: none"> – Electrostatic discharge (ESD) – Radiated RF field immunity – Electrical fast transient / burst immunity – Surge immunity – Immunity to conducted RF disturbances – Power frequency field immunity – Mains voltage dips and interruptions 	<ul style="list-style-type: none"> EN 61000-6-2, EN 61204-3 IEC/EN 61000-4-2 4 kV/8 kV criteria B IEC/EN 61000-4-3 10 V/m criteria A IEC/EN 61000-4-4 2 kV criteria B IEC/EN 61000-4-5 1 kV/2 kV criteria B IEC/EN 61000-4-6 10 V criteria A IEC/EN 61000-4-8 30 A/m criteria A IEC/EN 61000-4-11 0% / 20 ms 40% / 200 ms 70% / 500 ms
Environment	<ul style="list-style-type: none"> – Vibration acc. IEC 60068-2-6 – Shock acc. IEC 60068-2-27 	<ul style="list-style-type: none"> 3 axis, 2 g sine sweep, 10 – 150 Hz, 90 min 3 axis, 30 g half sine, 11 ms
Enclosure material		<ul style="list-style-type: none"> V2 rated plastic
Mounting	<ul style="list-style-type: none"> – DIN-rail mounting 	<ul style="list-style-type: none"> for DIN-rails as per EN 50022 – 35×15/7.5 (snap-on with self-locking spring) (included)
Environmental compliance	<ul style="list-style-type: none"> – Reach – RoHS 	<ul style="list-style-type: none"> www.tracopower.com/products/reach-declaration.pdf RoHS directive 2011/65/EU
Connection		<ul style="list-style-type: none"> screw terminal with combi-type screw heads for wire size 0.5 – 2.5 mm²

Function Specification

Block Diagram



Current Limit Characteristic



The load characteristic is designed to accomplish reliable start-up of heavy loads.

Note: All 6 Watt models (TBLC 06-xxx) implement a pulsing power characteristic when in overload or short circuit conditions.

All specifications valid at nominal input voltage, full load and +25°C after warm-up time unless otherwise stated.