

UL Class CF branch circuit time-delay CUBEFuse



Catalog symbols

- TCF_ (indicating fuse, 6-400 A)
- TCF_RN (non-indicating fuse, 1-400 A)

Description

The Bussmann™ series Low-Peak™ CUBEFuse™ is a UL® Class CF current-limiting, dual-element, time-delay branch circuit fuse with Class J electrical performance. Available in indicating and non-indicating versions, this finger-safe fuse has a very compact, space-saving size and is easily applied using the CUBEFuse holder (TCFH_N), UL 98 Compact Circuit Protector switch (CCP2_CF) or Compact Circuit Protector Base (CCP2B up to 100 A) used in the Quik-Spec™ Coordination Panelboard).

Ratings

- Volts
 - 600 Vac
 - 300 Vdc
- Amps
 - 6-400 A (indicating)
 - 1-400 A (non-indicating)
- Interrupting rating
 - 300 kA RMS Sym. (Up to 100 A UL)
 - 200 kA RMS Sym. (110 to 400 A UL)
 - 200 kA RMS Sym. (Up to 100 A CSA)
 - 100 kA DC (Up to 400 A UL and up to 100 A CSA)

Electrical characteristics

- 10 seconds minimum operating time at 500% rated current

Agency information

- UL Listed Class CF fuse: Guide JDDZ, File E4273 (up to 400 A)
- CSA® Certified fuse: Class 1422-02, File 053787_C_000 (up to 100 A)
- CE (100 A and below)
- RoHS compliant

Watts loss at rated current

Fuse amps	Watts
30	3.99
60	6.23
100	9.51
200	18.6
225	17.6
400	35.2

Operating and storage temperature range

- -40 to 80°C (-40°F to 176°F)

Catalog numbers (amps)

Indicating CUBEFuse

TCF6	TCF35	TCF90	TCF225
TCF10	TCF40	TCF100	TCF250
TCF15	TCF45	TCF110	TCF300
TCF17-1/2	TCF50	TCF125	TCF350
TCF20	TCF60	TCF150	TCF400
TCF25	TCF70	TCF175	
TCF30	TCF80	TCF200	

Non-Indicating CUBEFuse

TCF1RN	TCF25RN	TCF70RN	TCF175RN
TCF3RN	TCF30RN	TCF80RN	TCF200RN
TCF6RN	TCF35RN	TCF90RN	TCF225RN
TCF10RN	TCF40RN	TCF100RN	TCF250RN
TCF15RN	TCF45RN	TCF110RN	TCF300RN
TCF17-1/2RN	TCF50RN	TCF125RN	TCF350RN
TCF20RN	TCF60RN	TCF150RN	TCF400RN



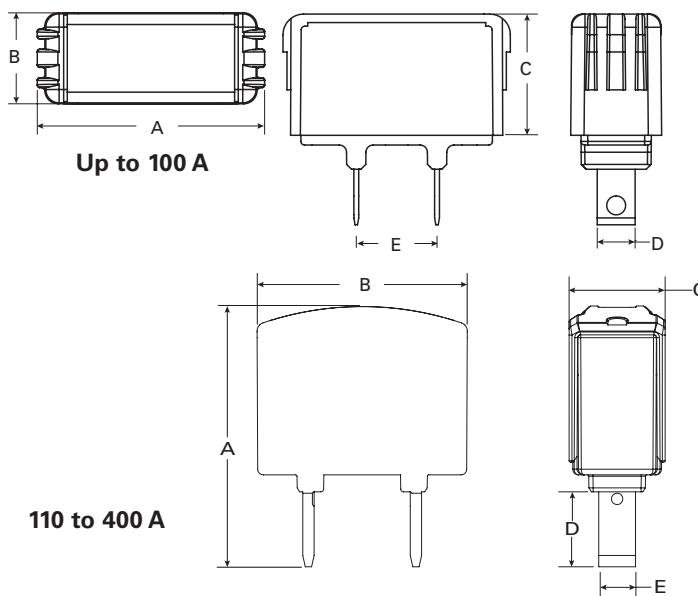
Powering Business Worldwide

Features

- Smallest installed footprint of any UL Class CC, J, or R fuse solution
- Easy application using CUBEFuse holders (TCFH_N), UL 98 Compact Circuit Protector (CCP2) switches and Compact Circuit Protector Base (CCP2B up to 100 A). See data sheet 9007 for details on the CUBEFuse holder, 10801 for details on the CCP2_CG switch and 1161 for the CCP2B.
- Holders and switches have an amp rating rejection feature to help prevent overfusing; 30, 60 and 100 A switches and holders will hold any CUBEFuse up to its rating, 200 and 400 A switches and 200, 225 and 400 A holders will hold any CUBEFuse 110 A and above up to its rating
- UL Class CF with Class J time-delay electrical performance
- Available in indicating and non-indicating versions
- The indicating version features local *easyID™* open fuse technology for faster troubleshooting and reduced downtime
- Faster response to damaging faults helps reduce destructive thermal and magnetic forces
- True dual-element fuse construction with a minimum 10 seconds time-delay at 500% of rating
- Long time-delay minimizes nuisance openings caused by temporary overloads and transient surges
- Up to 300 kA interrupting rating safely interrupts virtually any fault
- Robust cycling and inrush current withstand
- Low let-through currents under fault conditions
- Provides Type 2 “No Damage” protection for IEC motor starters when properly sized
- Easy selective coordination with any other Bussmann series Low-Peak Class CC, J, L or RK1 fuse with simple 2:1 amp ratio between upstream and downstream fuses

* Finger-safe status depends on final, installed application, and will require using accessory shrouds for 110 to 400 A ratings.

Dimensions — in (mm)



Fuse amps	A	B	C	D	E
1-15				0.23 (6)	
17-1/2	1.88 (48)	0.75 (19)	1.0 (25)	0.27 (7)	
20				0.31 (8)	0.67 (17)
25-30				0.36 (9)	
35-40				0.44 (11)	
45-50	2.13 (54)		1.13 (29)		
60		1.0 (25)			
70				0.49 (12)	
80-90	3.01 (76)		1.26 (32)		0.64 (16)
100				0.57 (14)	
110					0.51 (13)
125					0.51 (13)
150	3.62 (92)	2.9 (74)	1.34 (34)	1.02 (26)	0.51 (13)
175					0.57 (14.5)
200					0.57 (14.5)
225					0.63 (16)
250					0.73 (18.5)
300	4.25 (108)	3.46 (88)	1.69 (43)	1.47 (36)	0.79 (20)
350					0.86 (21.5)
400					0.86 (21.5)



Carton quantity and weight

Amp range	Carton qty.	Weight per carton lb (kg)
Up to 30	12	1.39 (0.63)
35-60	12	1.42 (0.64)
70-100	6	1.74 (0.79)
110 to 225	1	0.71 (0.32)
250 to 400	1	1.23 (0.56)